

A man with short brown hair, wearing a dark grey fleece jacket over an orange polo shirt and grey trousers, stands outdoors next to a green metal gate. He is looking towards the camera with a slight smile. The gate has a hydraulic closer mechanism on its edge. In the background, there is a white van and a brick building. The overall scene is bright and clear.

LOCINOX

Let's make it better together

HYDRAULIC GATE CLOSERS ENGINEERED FOR OUTDOORS

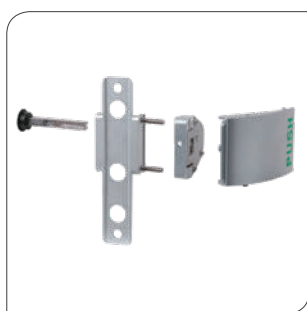
Discover our innovative solutions

LOCINOX



Accessories

Modularity, compatibility and flexibility within our product range give you an endless amount of solutions. Build your own product to fit your production processes and product range. Locinox makes sure your orders are handled quickly and correctly.



03 Handles

12 Adaptor plates



17 Cylinders

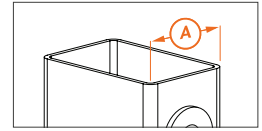
21 Accessories for gates



23 Post plugs & caps

26 Security strips

i Handle compatibility



	SURFACE MOUNTED LOCKS	INSERT LOCKS				
		A = 30mm	A = 40mm	A = 50mm	A = 60mm	
3006C		✓	✓			
3006I		✓	✓	✓		
3006D		✓	✓			
3006M		✓	✓			
3006J		✓	✓	✓		
3006R		✓				
300FA		✓	✓			
3006P		✓	only for P1 lockbox			
3006G		✓	✓	✓		
3006C-H					✓	
3006I-H				✓	✓	
3006M-H			✓	✓	✓	
3006J-H		✓	✓	✓	✓	
3006R-2		✓	✓			
KIDLOC-2		✓				
KIDLOC		✓	✓	✓		
3006KR		✓				
PUSHBAR		✓	✓	✓		
3006PUSH		✓				
3006T11		✓				



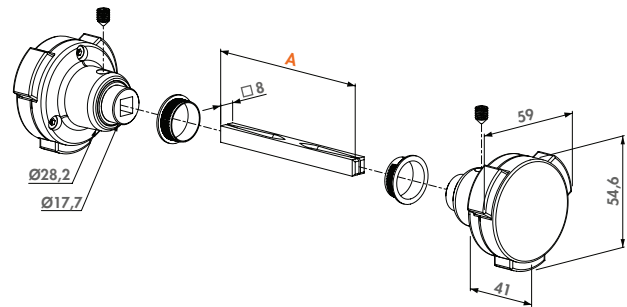
Childproof security knob

KIDLLOC (Patented)

Anodized aluminium and polyamide security knob providing child safety. At least one button must be pressed while turning the knob. Impossible for children younger than 5 years, conform to swimming pool standard NF P90-306.

Specifications

- ✔ Polyamide and stainless steel
- ✔ For all locks with a 8 mm follower
- ✔ Security knob for swimming pools, playgrounds, kennels,...
- ✔ Conform with the swimming pool safety standard NF P90-306



Order code

Security knob

KIDLLOC

A

Follower length 90 mm



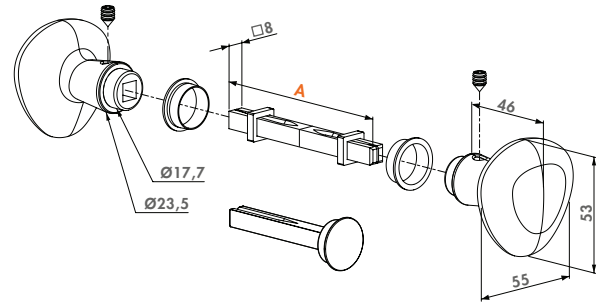
Aluminium handle blocking set

3006KR

Aluminium round knob set. The kit allows following combinations: one side fixed with one side operational, both sides fixed or one side blinded. The set is advised in combination with all aluminium lock boxes when access control is needed and highly recommended with electric keeps.

Specifications

- ✔ The kit permits the following combinations:
- ✔ 1 side fixed - 1 side movable or 1 side blinded
- ✔ 2 sides fixed
- ✔ 2 sides movable
- ✔ Highly recommended with Locinox electric keeps



Order code

Aluminium handle blocking set

3006KR

A

Follower length 90 mm



Handle set 3006PULL

3006PULL

Aluminium powder coated handle set with elegant design. This handle set can be used in combination with our MAGMAG locks (e.g. if used top/bottom).

Color options

ZILV **9005**

Specifications

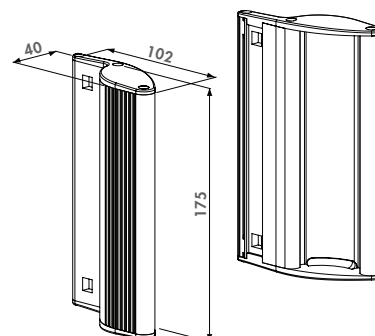
- ✔ Aluminium powder coated handle
- ✔ Combination possible with MAGMAG lock on top and bottom
- ✔ Matching design with our magnetic locks

Order code

Aluminium powder coated handle set

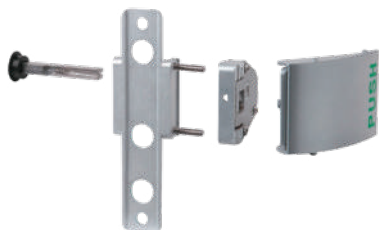
3006PULL

Fixation bolts not included



Push handle set in aluminium

3006PUSH



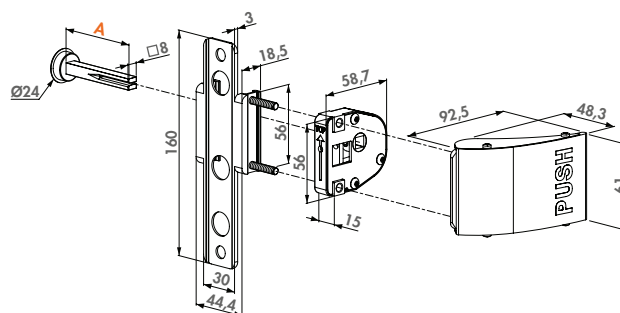
Push handle set for easy opening of the gate by a simple push. The 3006PUSH replaces the standard handle, can be quickly installed on new or existing locks and operates the daybolt. One side blinded.

Color options

ZILV

Specifications

- ✓ The set is adaptable on all surface mounted Locinox locks with aluminium U-lock box
- ✓ The 3006PUSH replaces the handles
- ✓ Facilitates opening the gate



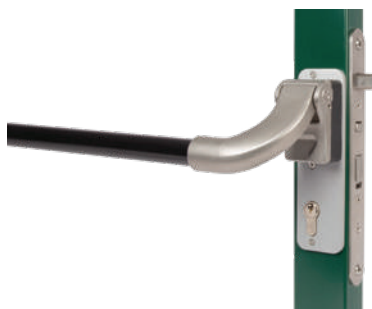
Order code

Push-set in aluminium

3006PUSH

A

Follower length 60,5 mm



NEW Aluminium push bar for insert locks

PUSHBAR-H-

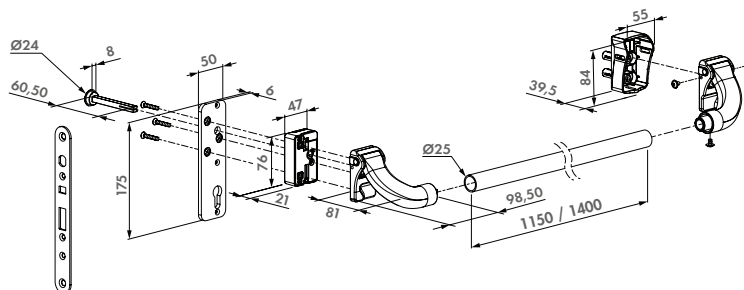
Push bar for an easy opening and a free exit of a gate by a simple push. The aluminium PUSHBAR replaces the standard handle, operates the daybolt and can quickly be installed on new or existing Locinox hybrid insert locks. The PUSHBAR is available in a short version (1150 mm) and a long version (1400 mm). The push bar can however be perfectly shortened to fit any gate.

Color options

9005

Specifications

- ✓ Black powder coated aluminium push bar with stainless steel mechanism
- ✓ Only compatible with H-Metal, H-Wood and Sixtylock
- ✓ Easy & fast mounting: Quick-Fix
- ✓ For left and right turning gates
- ✓ Blinded 8 mm follower included
- ✓ Possible to combine with half handle sets with 8 mm follower
- ✓ Maximum width: 1,30 m for 1150 mm version and 1,55 m for 1400 mm version



Compatible locks



H-METAL
P. 83

H-WOOD
P. 89

SIXTYLOCK
P. 82

Order codes

PUSHBAR-H-1150 Aluminium push bar for insert locks - Length 1150mm

PUSHBAR-H-1400 Aluminium push bar for insert locks - Length 1400mm



NEW Push bar in aluminium for surface mounted gate locks

PUSHBAR-L-

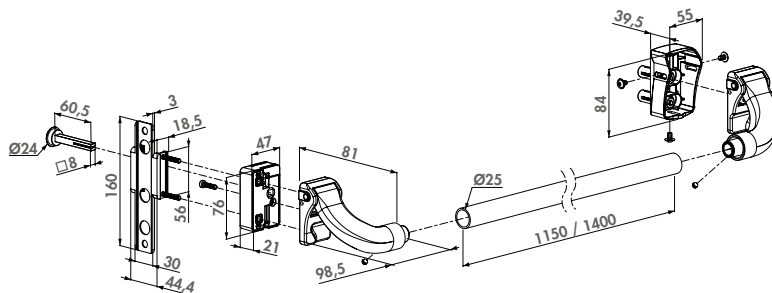
Push bar for an easy opening and a free exit of a gate by a simple push. The aluminium PUSHBAR replaces the standard handle, operates the daybolt and can quickly be installed on new or existing Locinox surface mounted gate locks (LA, LP and LF chassis). The PUSHBAR is available in a short version (1150 mm) and a long version (1400 mm). The push bar can however be perfectly shortened to fit any gate.

Color options

9005

Specifications

- ✔ Black powder coated aluminium push bar with stainless steel mechanism
- ✔ For left and right turning gates
- ✔ Easy to install on the gate with Quick-Fix
- ✔ Blinded 8 mm follower included
- ✔ Possible to combine with half handle sets with 8 mm follower
- ✔ Maximum width: 1,30 m for 1150 mm version and 1,55 m for 1400 mm version



Compatible locks



LAKQ U2
P. 59

LPKQ U2
P. 63

LFKQ X1
P. 67

Order codes

PUSHBAR-L-1150 Aluminium push bar for surface mounted locks - Length 1150 mm

PUSHBAR-L-1400 Aluminium push bar for surface mounted locks - Length 1400 mm

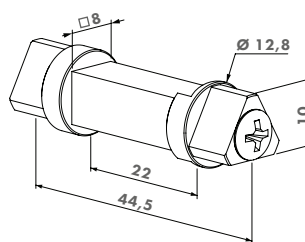
Triangular spindle

3006T11



Specifications

- ✔ Spindle in a triangular form of 11 mm to be used with triangle key
- ✔ Possible to insert in the handle opening of any LA lock



Order codes

3006T11

11 mm triangular spindle





Handle pair made of anodized aluminium

3006C

Aluminium club-handle pair.

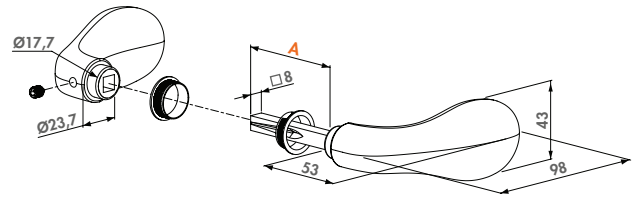
Specifications

- ✓ Handle pair made of anodized aluminium
- ✓ Square 8 mm follower

Order code

Aluminium handle pair

3006C



A

Follower length 60 mm



Handle pair made of anodized aluminium

3006M

Aluminium handle pair.

Specifications

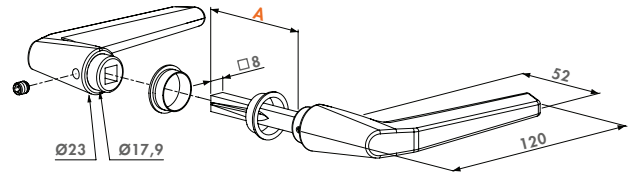
- ✓ Handle pair made of anodized aluminium
- ✓ Square 8 mm follower

Order codes

Aluminium handle pair

3006M

3006M-H



A

Follower length 60 mm

Follower length 120 mm



Anodized aluminium handle pair

3006J

Aluminium handle pair

Specifications

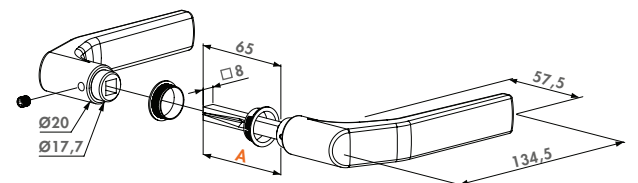
- ✓ Special design of the handle avoids bumping of the hand against the stop plate
- ✓ Square 8 mm follower

Order codes

Aluminium handle pair

3006J

3006J-H



A

Follower length 65 mm

Follower length 120 mm



Reinforced aluminium handle pair

3006S

Reinforced aluminium handle pair. Advised as a standard for all sliding gate locks. Resistant against high forces during opening and closing of the gate.

Specifications

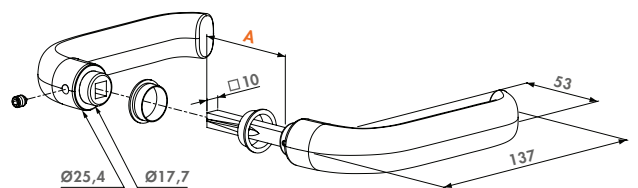
- ✓ Only applicable on Locinox sliding gate locks
- ✓ Square 10 mm follower

Order codes

Reinforced aluminium handle pair

3006S

3006S-H



A

Follower length 60 mm

Follower length 120 mm



Handle pair in zamac

3006FA

Zamac ornamental handle pair.

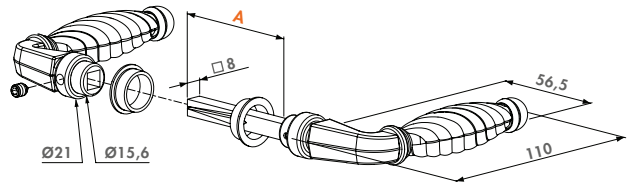
Specifications

- ✔ Handle pair in powder coated zamac
- ✔ Square 8 mm follower

Order code

Zamac handle pair

3006FA



A

Follower length 65 mm



Aluminium handle pair

3006D

Aluminium handle pair.

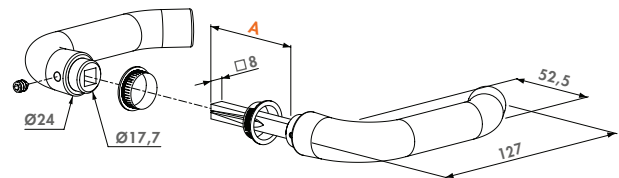
Specifications

- ✔ Handle pair made of anodized aluminium
- ✔ Square 8 mm follower

Order codes

Aluminium handle pair

3006D



A

Follower length 60 mm



Handle pair in stainless steel

3006I

Stainless steel handle pair.

Specifications

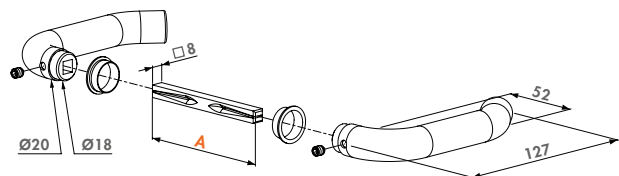
- ✔ Handle pair made of stainless steel
- ✔ Square 8 mm follower

Order codes

Stainless steel handle pair

3006I

3006I-H



A

Follower length 90 mm

Follower length 120 mm



Handle pair in polyamide

3006G

Handle pair in polyamide.

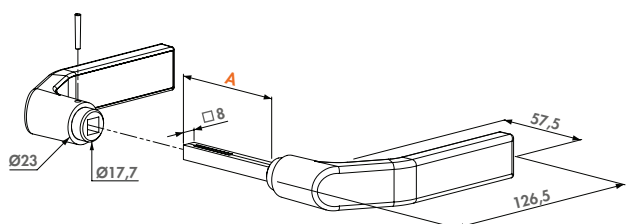
Specifications

- ✔ Square 8 mm follower
- ✔ Special design of the handle avoids bumping of the hand against the stop plate

Order code

Polyamide handle pair

3006G



A

Follower length 66,5 mm



Handle pair in polyamide

3006P

Polyamide handle pair.

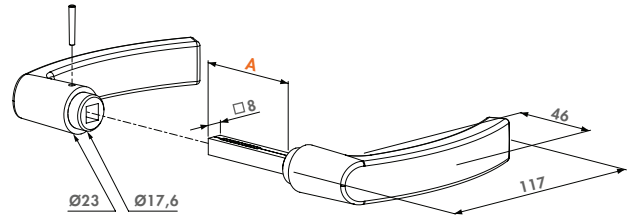
Specifications

- ✔ Square 8 mm follower
- ✔ Applicable with garden gate locks

Order code

Polyamide handle pair

3006P



A

Follower length 54 mm



Aluminium round knobs

3006R

Aluminium round handle pair.

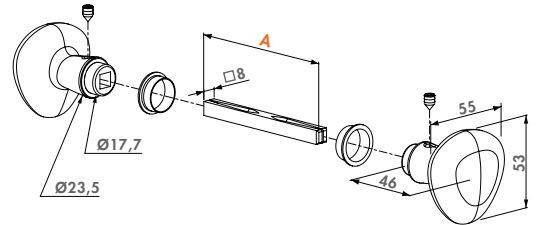
Specifications

- ✔ Round knobs in aluminium
- ✔ Square 8 mm follower

Order code

Aluminium handle pair

3006R



A

Follower length 90 mm







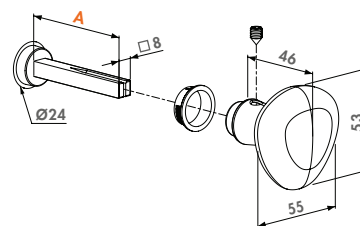
Half aluminium round handle

3006R-2

Half aluminium round handle. One side blinded.

Specifications

- ✔ Round knob in aluminium
- ✔ Square 8 mm follower



Order code

Aluminium round knob

3006R-2

A

Follower length 60 mm



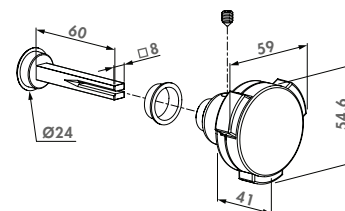
Childproof security knob half handle

KIDLOC-2

Half handle anodized aluminium and polyamide security knob providing child safety. At least one button must be pressed while turning the knob. Impossible for children younger than 5 years, conform to swimming pool standard NF P90-306.

Specifications

- ✔ Polyamide and aluminium
- ✔ For all locks with a 8 mm follower
- ✔ Security knob for swimming pools, playgrounds, kennels,...
- ✔ Conform with the swimming pool safety standard NF P90-306



Order code

Security knob

KIDLOC-2

A

Follower length 60 mm

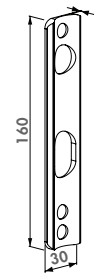


Adaptor plate for LA and LS locks

3019LA



The adaptor plate is mounted between the lock and gate frame.



Specifications

- ✓ Aluminium adaptor plate for LA- & LS locks
- ✓ Adaptor plate => Ø42 mm

Compatible locks



LAKQ U2
P. 59



LMKQ V2
P. 66



LAKZ P1
P. 72



LSKZ U2
P. 78

Order code

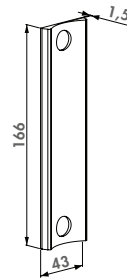
3019LA Adaptor plate for round posts Ø42 mm

Adaptor plate for SA keeps

3018LA



The adaptor plate is mounted between the keep and post.



Specifications

- ✓ Polyamide adaptor plate for SA-keep
- ✓ Adaptor plate => Ø60 mm

Compatible keep



SAKL QF
P. 95

Order code

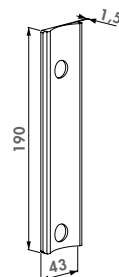
3018LA Adaptor plate for round posts Ø60 mm

Adaptor plate for SH keeps

6403



The adaptor plate is mounted between the keep and post.



Specifications

- ✓ Aluminium adaptor plate for SH-keeps
- ✓ Adaptor plate => Ø60 mm

Compatible keep



SHKL QF
P. 95

Order code

6403 Adapter plate for round posts Ø60 mm



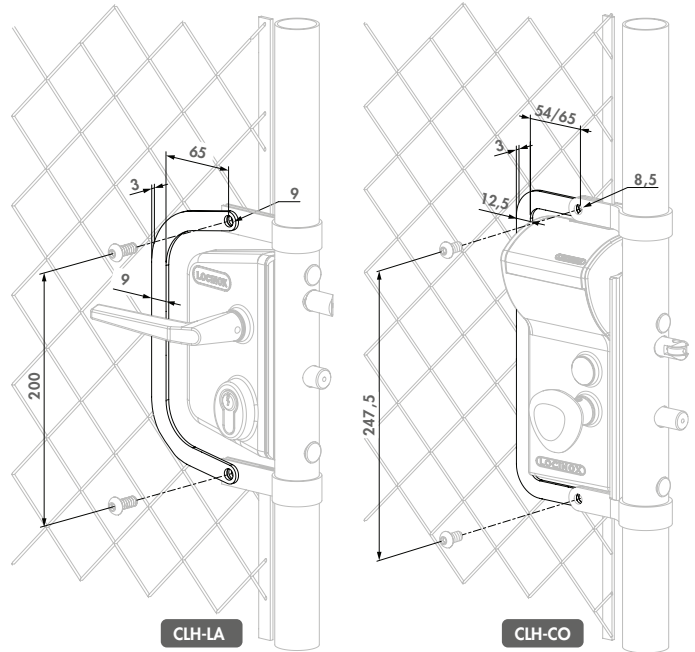
Chain-link tension bar adapter

CLH-

This tension bar adaptor fits around our industrial, electrical, garden and sliding gate locks to give an aesthetic, finished look to chain link gates. There is a separate chain link tension bar adapter available for the mechanical code locks.

Specifications

- ✓ Hot-dip galvanized steel
- ✓ Install with 2 tension bands
- ✓ Ties in with the tension bar for a finished look



Order codes

CLH-LA

Chain link tension bar adaptor for standard gate locks

CLH-CO

Chain link tension bar adaptor for mechanical code locks





Anti-theft protection plate for standard SA and Modulec SA keeps SHIELD-SA-

Vandal-proof protection plate in aluminium. This plate protects the daybolt and the nightbolt. Compatible with Locinox keeps (type SA and Modulec-SA).

Specifications

- ✔ Vandal-proof protection plate
- ✔ Aluminium powder coated
- ✔ Serves as a pick plate - use for extra security
- ✔ Shield can easily be mounted on the surface mounted lock and is available for 40-60 mm gate frames
- ✔ Can be combined with SA keeps and Modulec-SA

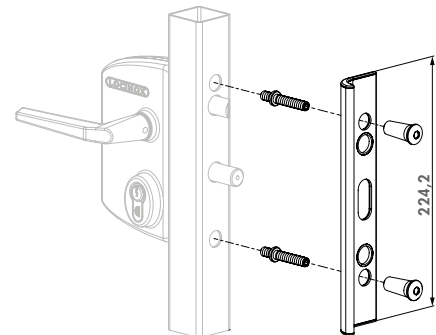
Order codes

SHIELD-SA- Adaptor plate for square to round posts for SA and MODULEC-SA keeps

Related products



SAKL QF
P. 95



Anti-theft protection plate for security SH keeps and Modulec SH keeps SHIELD-SH-

SHIELD-SH-

Vandal-proof protection plate in aluminium. This plate protects the daybolt and the nightbolt. Compatible with Locinox keeps (type SH and Modulec-SH).

Specifications

- ✔ Vandal-proof protection plate
- ✔ Aluminium powder coated
- ✔ Provided with plastic sliding sleeves for a perfect pen guidance. Very convenient in combination with gate closers
- ✔ Shield can easily be mounted on the surface mounted lock and is available for 40-60 mm gate frames
- ✔ Can be combined with keeps SH and Modulec-SH

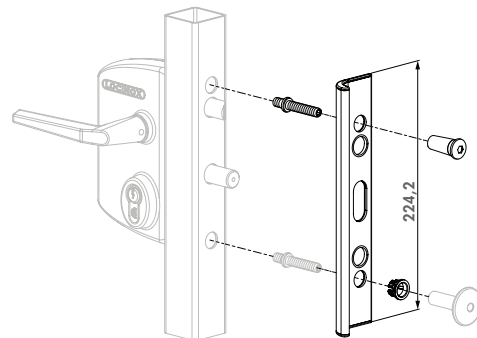
Order codes

SHIELD-SH- Adaptor plate for square to round posts for SH and MODULEC-SH keeps

Related products



SHKL QF
P. 95



Adaptor plate for Modulec strike 3018MOD-

3018MOD-

Adaptor plate for square to round posts for Modulec electric strike. The plate is mounted between strike and post. A perfect connection on a Ø60 mm profile is ensured.

Specifications

- ✔ Aluminium adaptor plate for Modulec on Ø60 mm profiles
- ✔ Black anodized
- ✔ Separate versions for SA and SH available
- ✔ Is easily installed between strike and post

Order codes

3018MOD-SA Adaptor plate for square to round posts for MODULEC-SA electric strike.

3018MOD-SH Adaptor plate for square to round posts for MODULEC-SH electric strike.

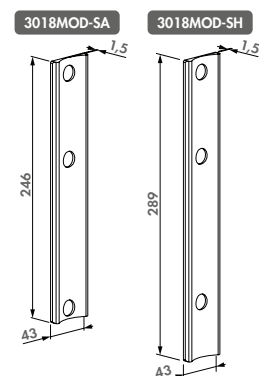
Recommended keeps

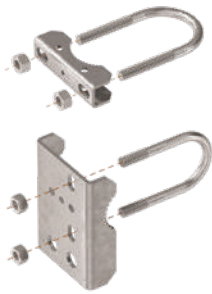


MODULEC-SA
P. 29



MODULEC-SH
P. 29





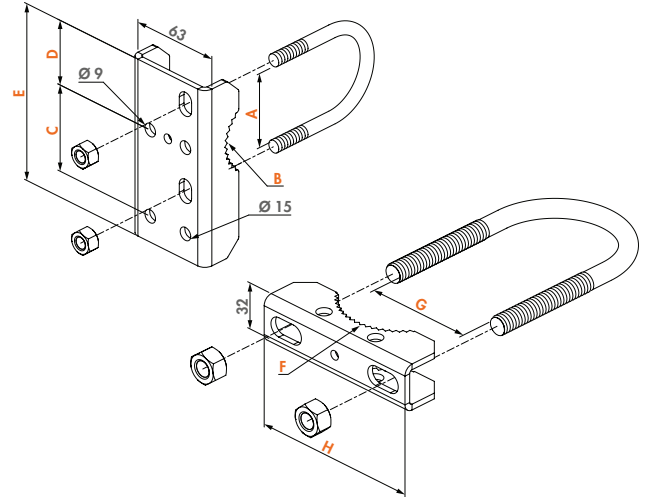
Galvanized bracket to mount Samson-2 to chain-link fence (USA only)

SB-

The chain-link mounting bracket allows the Samson gate closer to easily adapt to gates with round profiles and round hinge posts. Brackets are made of galvanized steel with U-bolts and stainless SD&T screws to lock the brackets into position. Available to fit 3" or 4" round posts and 1-5/8" or 1-7/8" gate frames.

Specifications

- ✓ Compatible with Samson-2
- ✓ Galvanized steel mounting brackets accept standard QF-fasteners on Samson-2



Order codes

	A	B	C	D	E	F	G	H
SB-3015	41,2	41,2	56	40	114	76,2	76,2	120
SB-3020	47,6	47,6	60	45	123	76,2	76,2	120
SB-4015	41,2	41,2	56	40	114	100	100	150
SB-4020	47,6	47,6	60	45	123	100	100	150



NEW Chain link bracket for Tiger gate closer

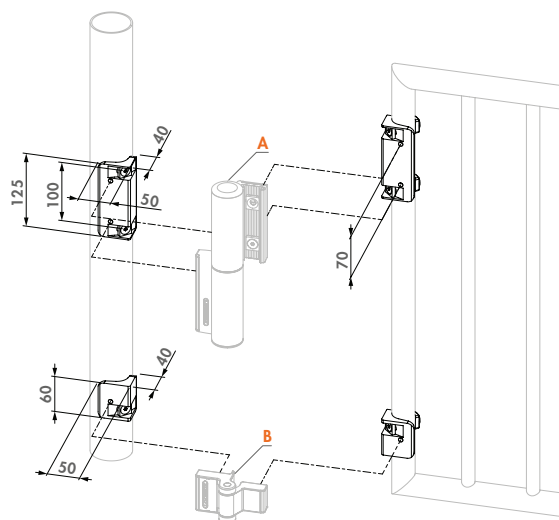
CLB-TIGER



High quality aluminium bracket for installation of Tiger gate closer on round chain link fences. The brackets are installed between gate closer and post. A perfect, firm and easy installation is guaranteed thanks to the drilling jig. The brackets for the Puma hinge are included.

Specifications

- ✓ Aluminium anodized assembly brackets for Tiger on chain link fences
- ✓ Diameter post: 48 to 102 mm
- ✓ Diameter gate profile: 35 to 48 mm
- ✓ All fixations included
- ✓ Drilling jig included for easy installation



Order code

CLB-TIGER

A B
Tiger Puma

NEW Chain link bracket for Mammoth gate closer

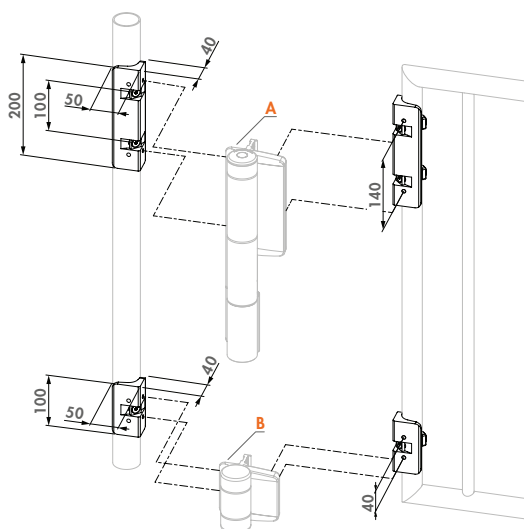
CLB-MAMMOTH



High quality aluminium bracket for installation of Mammoth gate closer on round chain link fences. The brackets are installed between gate closer and post. A perfect, firm and easy installation is guaranteed thanks to the drilling jig. The brackets for the Dino hinge are included.

Specifications

- ✓ Aluminium anodized assembly brackets for Mammoth on chain link fences
- ✓ Diameter post: 48 to 102 mm
- ✓ Diameter gate profile: 35 to 48 mm
- ✓ All fixations included
- ✓ Drilling jig included for easy installation



Order code

CLB-MAMMOTH

A B
Mammoth-180 Dino

Triangular cylinder set for triangle keys

3012-POC-

Stainless steel symmetric Europrofile cylinder set with which you can equip each Locinox lock with a triangular key access control on cylinder level. Exchangeable with 54 mm or 60 mm cylinders. Available for the 11, 14 or 17 mm triangle key. Applications: waste management, access fire brigade, parking facilities,...



Specifications

- ✓ Stainless steel triangular cylinder set
- ✓ Quick and easy retro-fitting assembly
- ✓ Universal compatibility for 11, 14 or 17 mm triangle keys
- ✓ Can replace every 54-60 mm symmetric Europrofile cylinder

Compatible triangle keys



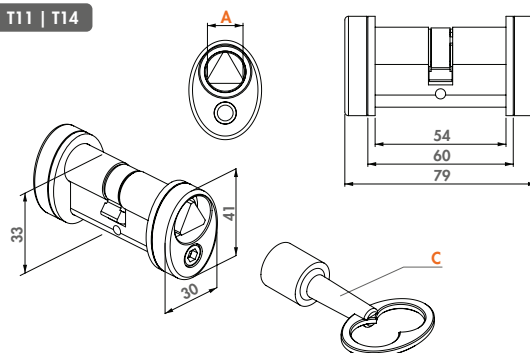
3071-T11
P. 176

3071-T14
P. 176

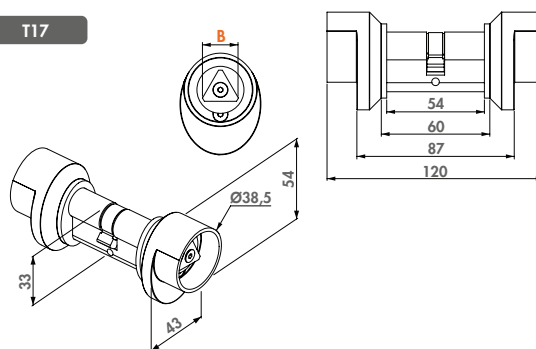
Order codes

Triangle width	A	B	C
3012-POC-T11	11 mm		3071-T11
3012-POC-T14	14 mm		3071-T14
3012-POC-T17		17 mm	

T11 | T14



T17





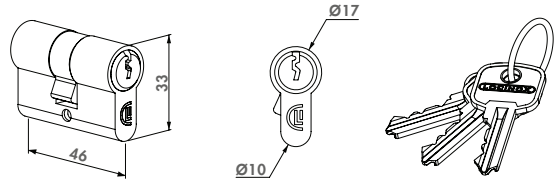
46 mm cylinder

3012-46-STD

Symmetric Europrofile cylinder with three keys: 46 mm, keyed alike or keyed to differ.

Specifications

- ✓ 46 mm Europrofile cylinder with three keys
- ✓ VCA: keyed to differ
- ✓ GCA: keyed alike A
- ✓ GCB: keyed alike B
- ✓ GCC: keyed alike C
- ✓ GCD: keyed alike D



Order codes

3012-46-STD-VCA	Symmetric 23 - 23 mm cylinder, keyed to differ
3012-46-STD-GCA	Symmetric 23 - 23 mm cylinder, keyed alike A
3012-46-STD-GCB	Symmetric 23 - 23 mm cylinder, keyed alike B
3012-46-STD-GCC	Symmetric 23 - 23 mm cylinder, keyed alike C
3012-46-STD-GCD	Symmetric 23 - 23 mm cylinder, keyed alike D



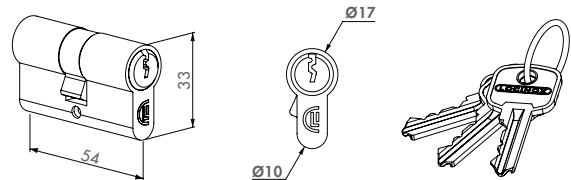
54 mm cylinder

3012-54-STD

Symmetric Europrofile cylinder with three keys: 54 mm, keyed alike or keyed to differ.

Specifications

- ✓ 54 mm Europrofile cylinder with three keys
- ✓ VSZ: keyed to differ
- ✓ GSZ: keyed alike Z
- ✓ GSY: keyed alike Y
- ✓ GSX: keyed alike X
- ✓ GSZ: Cylinders in different lengths are not compatible with each other



Order codes

3012-54-STD-VSZ	Symmetric 27 - 27 mm cylinder, keyed to differ
3012-54-STD-GSZ	Symmetric 27 - 27 mm cylinder, keyed alike Z
3012-54-STD-GSY	Symmetric 27 - 27 mm cylinder, keyed alike Y
3012-54-STD-GSX	Symmetric 27 - 27 mm cylinder, keyed alike X



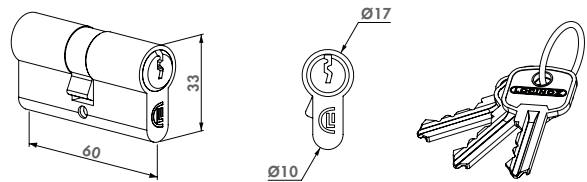
60 mm cylinder

3012-60-STD

Symmetric Europrofile cylinder with three keys: 60mm, keyed alike or keyed to differ.

Specifications

- ✓ 60 mm Europrofile cylinder with three keys
- ✓ GSZ: Cylinders in different lengths are not compatible with each other



Order codes

3012-60-STD-GSZ	Symmetric 30 - 30 mm cylinder, keyed alike
3012-60-STD-VSZ	Symmetric 30 - 30 mm cylinder, keyed to differ



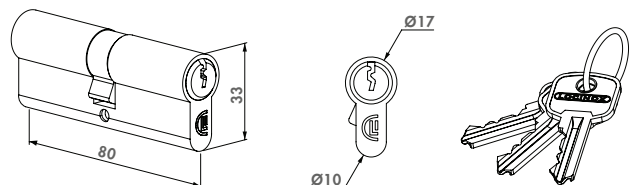
80 mm cylinder

3012-80-STD

Symmetric Europrofile cylinder with three keys: 80 mm, keyed alike or keyed to differ.

Specifications

- ✓ 80 mm Europrofile cylinder with three keys
- ✓ GSZ: Cylinders in different lengths are not compatible with each other



Order codes

3012-80-STD-GSZ	Symmetric 40 - 40 mm cylinder, keyed alike
3012-80-STD-VSZ	Symmetric 40 - 40 mm cylinder, keyed to differ



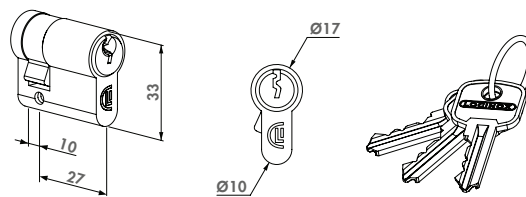
37 mm half cylinder

3012-37-STD

Asymmetric Europrofile cylinder 37 mm. Same keys as 3012-54-STD-GSZ. Used for Keydrop, Keysafe and Electradrop.

Specifications

- ✔ 37 mm half cylinder with three keys
- ✔ One side key / one side blind
- ✔ Used with Keydrop, Electradrop and Keysafe
- ✔ GSZ: Cylinders in different lengths are not compatible with each other



Order code

3012-37-STD-GSZ Asymmetric 10 - 27 mm cylinder, keyed alike Z



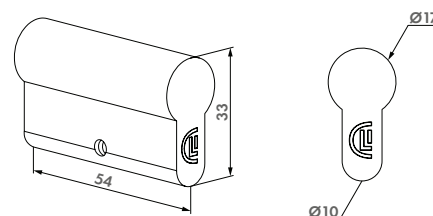
54 mm dummy cylinder

3012-54-DSA

Dummy cylinder Europrofile 54 mm. Prevents the lock from being locked down.

Specifications

- ✔ Dummy cylinder disables deadbolt locking
- ✔ For panic gates in combination with the 3006PUSH and PUSHBAR



Order code

3012-54-DSA Europrofile dummy cylinder 54 mm



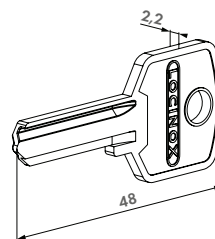
Blank key 46 mm

3070-46

Key blank that allows you to reproduce copies

Specifications

- ✔ Blank key for cylinder 46 mm
- ✔ For reproducing cylinder keys for 3012-46-STD



Order code

3070-46 Blank key for reproducing 46 mm cylinders



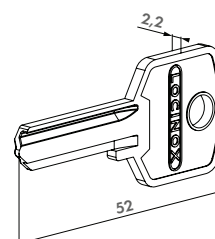
Blank key 54 mm

3070-54

Key blank that allows you to reproduce copies

Specifications

- ✔ Blank key for cylinder 54 mm
- ✔ For reproducing cylinder keys for 3012-37-STD, 3012-54-STD



Order code

3070-54 Blank key for reproducing 54 mm cylinders



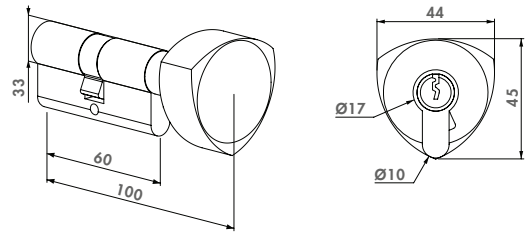
60 mm knob cylinder

3012-60-KNOB

Symmetric Europrofile cylinder with three keys and knob-turn on one side. Used when a free exit is required on one side.

Specifications

- ✔ 60 mm Europrofile cylinder with three keys
- ✔ One side key / one side knob
- ✔ Free entrance on one side



Order codes

3012-60-KNOB-GSZ Symmetric 30 - 30 mm knob cylinder, keyed alike

3012-60-KNOB-VSZ Symmetric 30 - 30 mm knob cylinder, keyed to differ



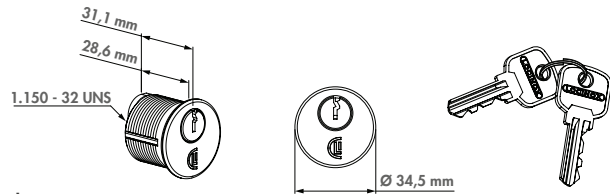
Mortise cylinders set

MRT-118

Set with 2x Mortise cylinders and 4 keys. Fits our new LUKY lock. Cylinders available in Keyed alike and keyed to differ.

Specifications

- ✔ Length 1" 1/8 (28,5 mm)
- ✔ Adams Rite cam type 863A
- ✔ 5 Pins code (6 pins drilled – rekeyable)
- ✔ Satin Nickel Plated
- ✔ 1,150" x 32 UNS thread size
- ✔ 1,360" (34,5 mm) face diameter



Order codes

MRT-118-GMA Keyed alike

MRT-118-VMZ Keyed to differ



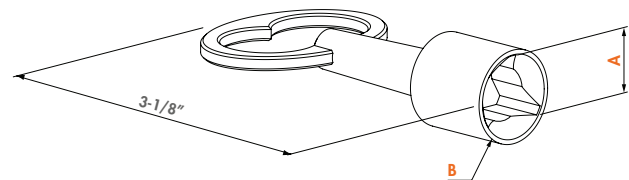
Triangle key

3071-

Compatible with a lock that is equipped with an 11 mm or 14 mm triangle instead of a handle.

Specifications

- ✔ Compatible with 3012-POC-T11 / 3012-POC-T14 / 3006T11
- ✔ Zinc-plated



Order codes

Triangle width

	A	B
3071-T11	11 mm	Ø15,5
3071-T14	14 mm	Ø20





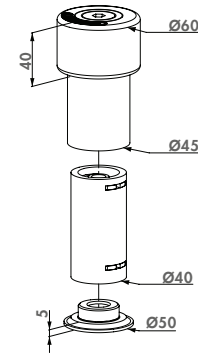
Gatestop with rubber

GATESTOP

Aluminium gatestop. The rubber stop prevents the gate from being damaged. Height adjustability from 60 mm till 140 mm. Can also be used as a wall stop. Including anchor bolt.

Specifications

- ✔ Fast and easy fixing
- ✔ Height adjustable: min 60 mm till 140 mm
- ✔ Aluminium body with rubber stop
- ✔ Included anchor bolt M12 for concrete fixing



Order code

GATESTOP

Including anchor bolt



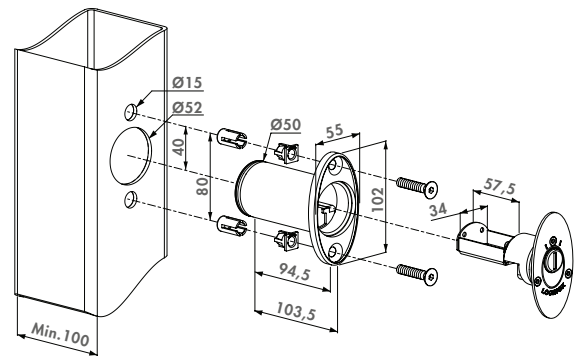
Keysafe Quick-Fix

KEYSAFE QF

Stainless steel Keysafe. Supplied with Quick-Fix to mount inside metal profiles. Used for a safe storage of your spare gate lock keys.

Specifications

- ✔ Keysafe with europrofile cylinder
- ✔ For safe storage of your gate lock keys
- ✔ Rust-resisting frontcover
- ✔ Stainless steel cylinder cover
- ✔ Aluminium housing
- ✔ Fast and easy fixing with Quick-Fix



Order code

KEYSAFE QF

Including 3012-37-STD-GSZ



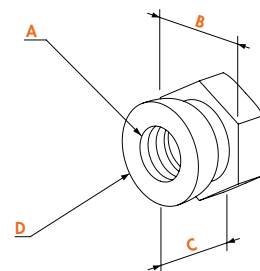
Security nuts

SECUNUT

Stainless steel anti-theft nuts for security applications.

Specifications

- ✔ Stainless steel security nuts for anti-theft applications
- ✔ Available in M6, M8 and M10



Order codes

	A	B	C	D
SECUNUT-M6	M6	10	9,5	Ø9,3
SECUNUT-M8	M8	13	11	Ø12,7
SECUNUT-M10	M10	17	15	Ø16,3

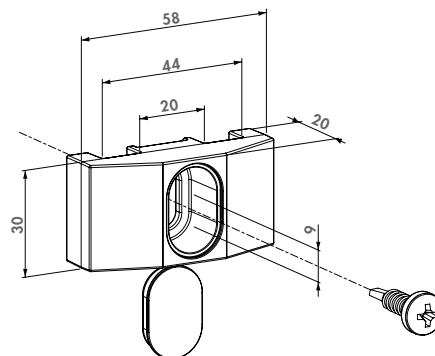


Fixing for 2D-welded mesh with self-drilling screws

2D-PANELFIX SD

Specifications

- ✔ Fixing for 2D-welded meshes
- ✔ With self-drilling screws



Order code

2D-PANELFIX SD

With self-drilling screws

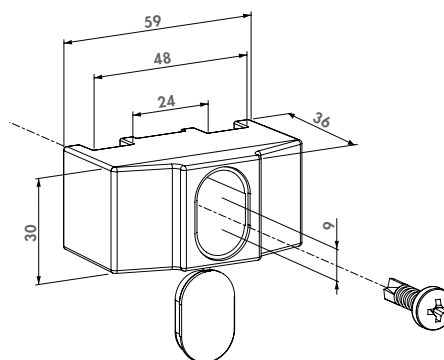


Fixing for 3D-welded mesh with self-drilling screws

3D-PANELFIX SD

Specifications

- ✔ Fixing for 3D-welded meshes
- ✔ With self-drilling screws



Order code

3D-PANELFIX SD

With self-drilling screws





Post plug

TC

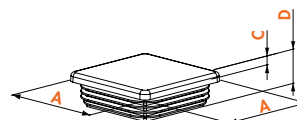
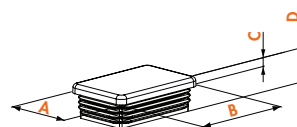
Polypropylene post plugs.

Color options

6005 9005

Specifications

- ✓ Polypropylene post plug for square profiles



Gateframe compatibility

For square profiles	For rectangular profiles	A	B	C	D
TC-4040		40	5	19,4	
TC-5050		50	5	19,4	
TC-6060		60	5	19,4	
	TC-4060	40	60	5	19,4



Post caps

TCR

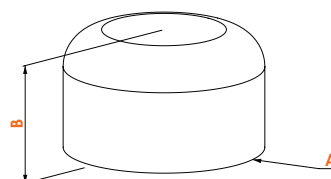
Polypropylene post caps.

Color options

6005 9005

Specifications

- ✓ Polypropylene post cap for round profiles



Gateframe compatibility

For round profiles	A	B
TCR-42	Ø45	29,5
TCR-48	Ø51	30
TCR-60	Ø63	38



Square post cap

TCO-STD

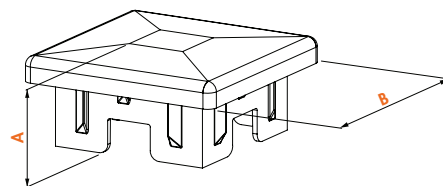
Polypropylene post cap. Protects the upper borders of the posts.

Color options

9005

Specifications

- ✓ Polypropylene square post cap for 60x60 mm, 80x80 mm and 100x100 mm
- ✓ Protects upper borders of posts



Order codes

For square profiles	A	B
TCO-STD-6060	41	67,5
TCO-STD-8080	41	89
TCO-STD-100100	47	110



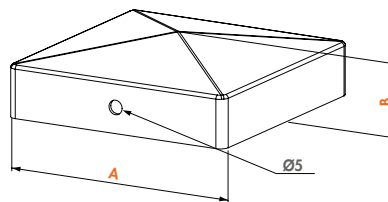
Post cap to screw on

TCO-SCR

Hot-dip galvanized post caps with screw hole. Perfect to protect / finish your posts.
Applications: wood, aluminium or metal.

Specifications

- ✔ Hot-dip galvanized post caps to screw on



Order codes

For square profiles

	A	B
TCO-SCR-HDG-4040	43	22
TCO-SCR-HDG-5050	53	23
TCO-SCR-HDG-6060	63	24
TCO-SCR-HDG-8080	83	25
TCO-SCR-HDG-100100	103	27
TCO-SCR-HDG-120120	123	29

Post caps to weld on

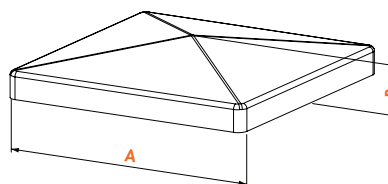
TCO-WLD

Post caps to weld on in black steel or zinc plated. Perfect to protect / finish your posts.
Applications: metal.



Specifications

- ✔ Post caps in black steel or zinc plated



Order codes

Black steel post caps	Zinc-plated post caps	A	B
TCO-WLD-B-4040	TCO-WLD-Z-4040	43,5	12
TCO-WLD-B-5050	TCO-WLD-Z-5050	53,5	13
TCO-WLD-B-6060	TCO-WLD-Z-6060	63,5	14
TCO-WLD-B-8080	TCO-WLD-Z-8080	83,5	16
TCO-WLD-B-100100	TCO-WLD-Z-100100	103,5	18
TCO-WLD-B-120120	TCO-WLD-Z-120120	123,5	19,5







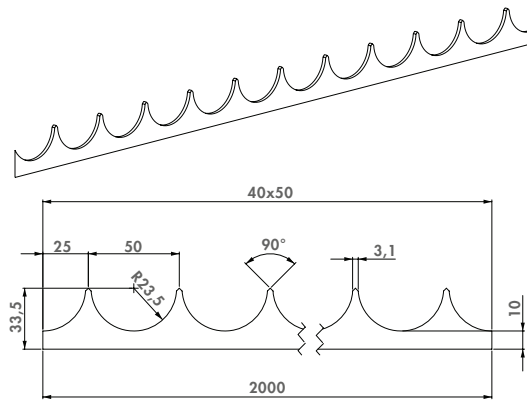
Security strip to weld on

PKWB2000

Security strips in black steel to weld on. Packed per 20 pieces of 2 meter.

Specifications

- ✔ Black steel for welding
- ✔ Fixing: to weld on
- ✔ Profile: 33,5 x 3 mm
- ✔ Length: 2000 mm
- ✔ Packed in tubes per 20 pcs of 2000 mm



Order code

PKWB2000

Security strip to weld on



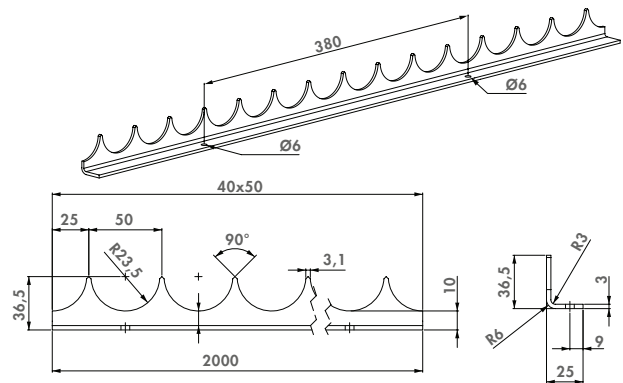
Security strip to screw on

PKSG2000

Hot-dip galvanized L-security strips to screw on. Packed per 10 pieces of 2 meter.

Specifications

- ✔ Hot-dip galvanized toothed L-profile
- ✔ Fixing: screw on
- ✔ Profile: 36,5 x 25 x 3 mm
- ✔ Length: 2000 mm
- ✔ Easy to retrofit
- ✔ Packed in tubes per 10 pcs of 2000 mm



Order code

PKSG2000

Security strip to screw on



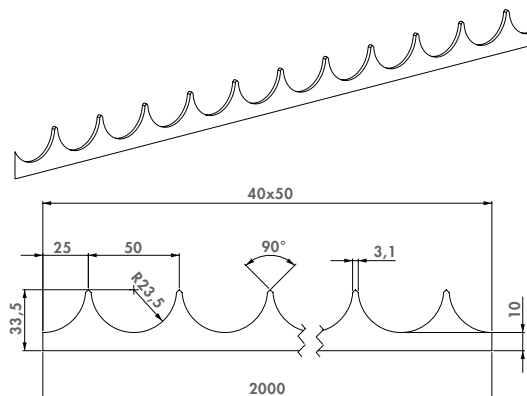
Electrogalvanized security strips to weld on

PKWB2000-EP

Electrogalvanized security strips to weld on. Packed per 20 pieces of 2 meter.

Specifications

- ✔ Fixing: to weld on
- ✔ Profile: 33,5x3 mm
- ✔ Length: 2000 mm
- ✔ Packed in tubes per 20 pcs of 2000 mm



Order code

PKWB2000-EP

Security strip to weld on



FORWARD

Innovation as the engine
of your growth



MODULARITY

Designed with flexibility
at every moment



ADDED VALUE

High quality to ensure
your peace of mind



24/7 WEBSHOP

Order when
it suits you



FULL SERVICE

Exceptional
after-sales service



3 YEAR WARRANTY

Sustainable solutions in
the very long term



TRANSPARENCY

A sincere and clear
communication, day after day



RELIABLE

Our promises and
deadlines are always met



LOYAL

Long-term relationships and a
win-win situation for everyone



AUB Limited
Unit A, 12/F, Hung Mou Industrial Building,
62 Hung To Road, Kwun Tong,
Kowloon, Hong Kong
Tel : +852 2375 6110
Fax : +852 2406 2602
enquiry@aub.com.hk
www.aub.com.hk