



SYSTEM SÄLZER® Series S6es – Aluminium door system

Combinable protection for highest security requirements

up to RC4 | up to FB4-NS | up to EXR2 and tested with up to 500 kg explosive charges



Security Doors

Enabling access –
securing protection

Aluminum doors constructed in the SÄLZER Series S6es combine both elegance and the ability to be produced in a variety of configurations.

The narrow profiles and expansive glazing are combined with outstanding building physics values as well as variably combinable security to protect against forced entry, bullets and explosion. The flush-faced door construction on both internal and external faces is characterized by maximum ease of movement and reliability. The security door of the S6es series can be individually designed as inward opening or outward opening door, as single and double door with top and side panels and can be easily integrated into our facade systems.

Tested and certified security*



- › **Forced entry resistance**
According to **DIN EN 1627-1630**
up to **RC4**.

Glazing according to **DIN EN 356**
up to **P6B**.

Tested with **emergency exit locks**
according to **EN 179** and **panic exit**
locks according to EN 1125 up to
RC4 as single door (**panic door**) and
as double door (**full panic door**).

Tested: inward opening and outward
opening door.



- › **Bullet resistance**
According to **DIN EN 1522-1523**
up to **FB4-NS**.

Glazing according to **DIN EN 1063**
up to **BR4-NS**.

Tested: inward opening and outward
opening door.



- › **Blast resistance**
According to **DIN EN 13123**
up to **EXR2**.

Tests according to customised
requirements with different explosive
charges such as **100 kg or 500 kg**.
Reflected pressure: single door up to
790 kPa and double door up to
357,5 kPa.

Glazing according to SÄLZER
specification.

Classified:
GSA 2 (Protection Level, „Very High“),
ISO B (Hazard-Rating, „No Hazard“).

The single door is tested as outward
and as inward opening door.

*For higher security requirements please refer to SÄLZER Series S2es.

Aluminium doors of the Series S6e are fully compatible with all products within the SYSTEM SÄLZER® (windows, facades, partition walls).



Performance at a glance

› **Variably combinable protection** against forced entry, bullets and explosions.

› **Tested as a complete element** including glazing, hardware and wall connection in various design configurations.

› **The security components are invisibly integrated into the profile.**

The SÄLZER profile systems have been specially developed for combinable security requirements.

› **The profile face widths and depths** are the same irrespective of the selected security combination and security level. This ensures a uniform appearance within a building, even with a graduated security concept.

› **Use of glass thickness up to 80 mm possible (e.g. bullet-resistant triple insulating glass up to BR4-NS)** with internally flush glazing beads.

› **No visible fixings to the glazing beads are required**, due to the profile geometry and the stable design (patent).

› **The glazing is designed to be pressure and impact resistant without the requirement of bonding** into either fixed or moving frames. This ensures natural glazing rebate ventilation, controlled water flow and, if necessary, simple glass replacement.

› **Tested with a wide range of locking systems:** mechanical, electromechanical or motorized locks, single or multiple locking, self-locking systems. The doors can also be automated using drive systems.

› **Single and double doors (full panic function)** are also tested with emergency exit locks according to EN 179 and panic exit locks according to EN 1125 up to forced entry resistant level RC4.¹ (see also: double-leaf, glazed security door with full panic function – Series S6es).

› **A continuous interlocking profile at the lock side** blocks levering attempts at the lock, additionally the door system is stabilised by this profile.

› **A two-part continuous security profile at the hinge side** blocks attempts to lever out the door, additionally the door system is stabilised by this profile.

› **3-dimensionally adjustable hinges** permits door leaf weights up to 400 kg, up to 600 kg leaf weight with floor pivot bearing.

› **Access control:** By using appropriate hardware systems, the doors can be controlled via access control systems such as card readers, transponders, fingerprints etc.

› **Electronic monitoring components** such as magnetic devices or door latch sensors can be invisibly integrated.

¹ Specially developed glazing with polycarbonate layers is used from RC2. This special glazing can withstand attacks with a hammer or pointed objects and can't be pierced. Additionally the handle and the panic bar are designed and protected in such a way that no manipulation from the attack side is possible even through punctual attack on the panels or glazing. The panic function can't be triggered by forced entry attacks.

Building physics according to DIN EN 14351-1

Besides their high security SÄLZER security doors comply with all requirements in building physics according to DIN EN 14351 and are CE marked.



Resistance against wind load
According to DIN EN 12210
Depending on the type of door
up to class C5, 2.000 Pa.



Water tightness
According to DIN EN 12208
Depending on the type of door
up to class E750.



Air permeability
According to DIN EN 12207
Depending on the type of door
up to level 4, 600 Pa.



Impact resistance
According to DIN EN 13049
Depending on the type of door
up to level 5.



Thermal insulation
According to DIN EN ISO 10077-2
Depending on the type of door
 $U_o = 1,7 - 1,9 \text{ W/m}^2\text{K}$ (double
glazing).
 $U_o = 1,4 - 1,8 \text{ W/m}^2\text{K}$ (triple
glazing).



Sound insulation
ISO 140-3
Depending on the type of door
up to R_w 47 dB.

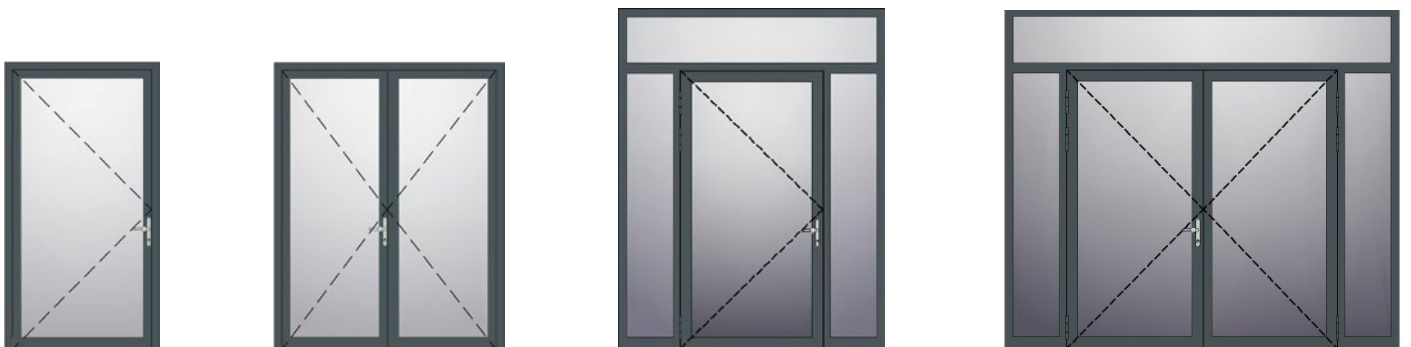


Life cycle test
Suitable for frequently used
entrances and exits.
Level 6: 200.000 cycles with
400 kg leaf weight.
Level 7: 500.000 cycles with
350 kg leaf weight.

Custom-made design

The SÄLZER aluminium profile system permits individually designed construction according to client requirements. The planner, architect and building receive their tailor-made security door which also satisfy the most exacting demands in terms of design, comfort and functionality.

Design examples, inward and outward opening

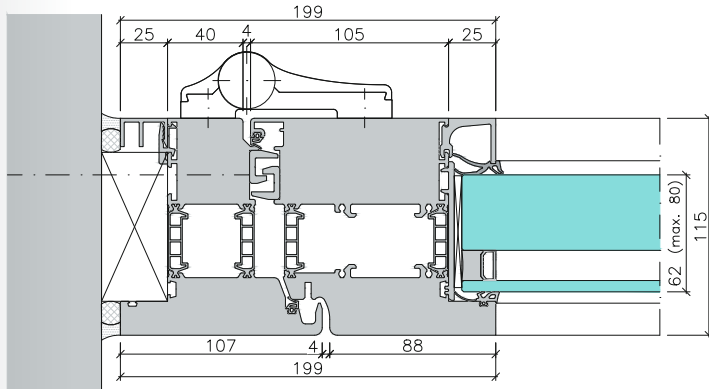


□ ○ △ Surface diversity

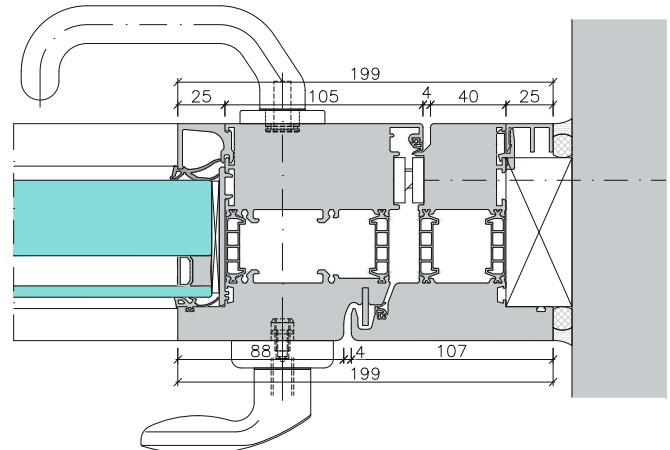
The profile surfaces can be individually adapted inside and outside to the design of the building. Powder-coated, anodised surfaces as well as over clad with timber, stainless steel, stone, bronze and other options.

Examples of horizontal section

Door inward opening

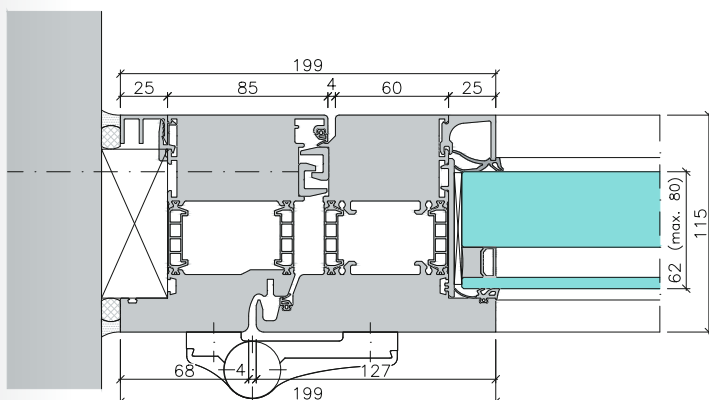


› **Horizontal section A - A**
(Wall connection - hinge side)
- inward opening -

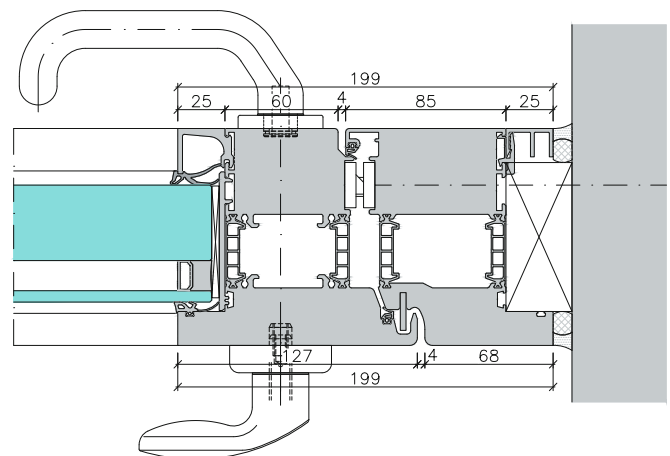


› **Horizontal section B - B**
(Wall connection - lock side)
- inward opening -

Door outward opening



› **Horizontal section A - A**
(Wall connection - hinge side)
- outward opening -



› **Horizontal section B - B**
(Wall connection - lock side)
- outward opening -

Profile depth and profile face width

› **Profile depth:**

Door frame, mullion, transom	115 mm
Door leaf profile, flush mounted	115 mm

› **Infill thickness**

up to 80 mm

› **Profile face width (standard)**

Door frame, outward opening	68 mm
Door frame, inward opening	107 mm
Integrated door frame, outward opening	8 mm
Integrated door frame, inward opening	47 mm
Mullion, transom	100 mm
Door leaf profile, outward opening	127 mm
Door leaf profile, inward opening	88 mm
Door sill, below	168 mm

SYSTEM SÄLZER® – Systemized security



› SYSTEM SÄLZER® – The security system for windows, doors and facades

Owned by the third generation of the SÄLZER family and with over 130 employees, SÄLZER GmbH in Marburg develops and sells concepts that protect against forced entry, bullets, explosions, fire and smoke. In addition to windows, doors and facades in the highest security and resistance classes, the company also supplies gates, barriers, grilles, retractable bollards for perimeter security, as well as guard houses. SÄLZER supports public authorities and private building owners in Germany and worldwide with a wide range of products that can be networked and combined at all security levels. Our customers benefit from individual consultation and planning meetings as well as digital planning support in the form of AutoCAD files and specification texts.

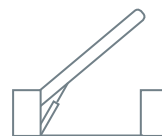
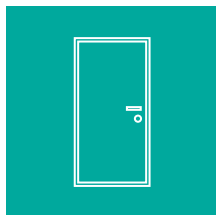
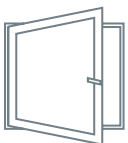
For more information visit www.saelzer-security.com

SCHÜCO

› Schüco – System solutions for windows, doors and facades

Based in Bielefeld, the Schüco Group develops and sells system solutions for windows, doors and façades. With 5650 employees worldwide, the company strives to be the industry leader in terms of technology and service today and in the future. In addition to innovative products for residential and commercial buildings, the building envelope specialist offers consultation and digital solutions for all phases of a building project – from the initial idea through to design, fabrication and installation. 12,000 fabricators, developers, architects and investors around the world work together with Schüco. The company is active in more than 80 countries and achieved a turnover of 1.750 billion euros in 2019.

For more information visit www.schueco.com



AUB Limited
Unit A, 12/F, Hung Mou Industrial Building,
62 Hung To Road, Kwun Tong,
Kowloon, Hong Kong
Tel : +852 2375 6110
Fax : +852 2406 2602
Email : enquiry@aub.com.hk
www.aub.com.hk