



Charon Turnstiles

Transparent Charon turnstiles

Stylish
Perfectly coordinated
Timeless

In prestigious entrance areas, VIP rooms or at access points to the executive suite, the motor-driven Charon turnstiles efficiently control access and aesthetically complement any interior.

Design

The transparent glass and complementary high-quality stainless steel give these motor-driven turnstiles their radiant look. The transparent models elegantly blend in with the interior of old and modern buildings alike.

Versatility

The space-saving turnstiles look attractive even as multi-passage installations. Glass turnstiles are exclusively designed for the interior. A stainless steel variant without glass elements is also suitable for outdoor installation.

Barrier-free access/goods transport

Access can be granted for wheelchair users and goods transport using either a separate swing door or one that is integrated in the turnstile.

Minimal power consumption

The quiet low-energy drive consumes very little energy and adapts to the speed of the person entering.



Advantages of Charon turnstiles

The user and operator requirements as well as the architectural environment are crucial for decision making.

- Quiet, low-noise operation
- Low power consumption
- Elegant, transparent design
- Space-saving even as multiple installation
- Comfortable passage thanks to servo positioning drive
- Barrier-free solutions with automatic swing doors in matching design
- Swing doors suitable for installation in emergency and escape routes
- Versatile design of glass wings, guiding elements and bar handles
- Optional adjustment of height up to 1200 mm



Automatic Charon swing doors in matching design offer a fitting solution for disabled access.

The ideal solution for any access point



Multiple installation in foyer – within eyeshot of reception staff



Access to special areas

Perfectly coordinated: warm wood, glass and stainless steel



Safety solution in front of a lift



For stylish access to:

- Office and administrative buildings
- Ministries
- Government buildings
- Banks and financial institutions
- Airports
- Swimming pools
- Amusement parks

Charon Turnstiles

Throughput rate = up to 25 per minute

Security level = ●●○○○

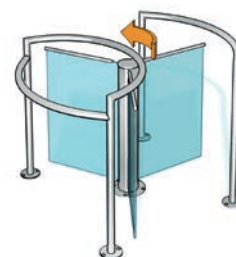
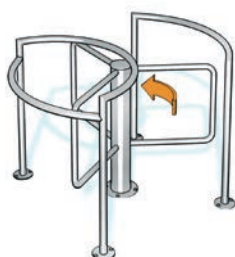
Comfort = ●●○○○

Staff supervision = yes

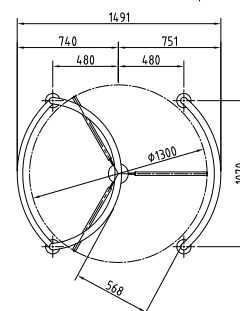
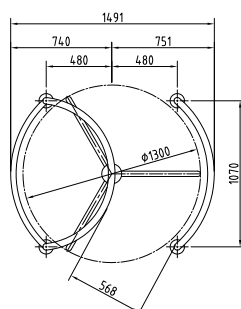
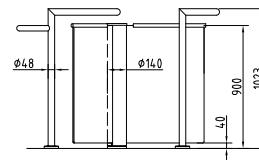
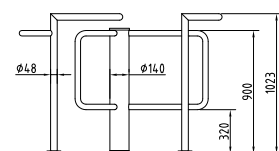




Charon Turnstiles

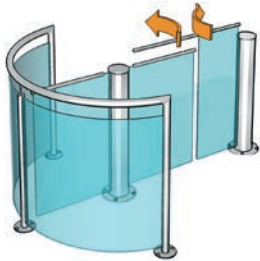


Standard units		HTS-E01	HTS-E03
Construction	Material	AISI 304 stainless steel.	AISI 304 stainless steel / toughened safety glass, 10 mm.
	Side barrier elements	Made of AISI 304 stainless steel tubing Ø 48 mm, mitred.	Made of AISI 304 stainless steel tubing Ø 48 mm, mitred.
	Rotating unit	With tubular column Ø 140 mm made of AISI 304 stainless steel. With three U-shaped barrier elements made of AISI 304 stainless steel tubing Ø 40 mm.	With tubular column Ø 140 mm made of AISI 304 stainless steel. With three tall glass elements and stainless steel bar handles.
		Locking system, drive and toothed holding brake installed in tubular column.	Locking system, drive and toothed holding brake installed in tubular column.
	HTS-M01 swing door		
Finish		Stainless steel satin finish.	Stainless steel satin finish.
Function		Type 2 * Passage side can be selected - inwards right or inwards left.	Type 2 * Passage side can be selected - inwards right or inwards left.
Electrical equipment		Control unit in external switch cabinet H = 283 / W = 168 / D = 115 (mm).	Control unit in external switch cabinet H = 283 / W = 168 / D = 115 (mm).
	Power supply	100 - 240 VAC, 50/60 Hz, 253 VA.	100 - 240 VAC, 50/60 Hz, 253 VA.
		In case of power failure both directions free.	In case of power failure both directions free.
	Standby power consumption	15 VA.	15 VA.
Installation		Dowelled on finished floor level, FFL. Suitable for outdoor installation.	Dowelled on finished floor level, FFL. Not suitable for outdoor installation.
Protection classes		Housing IP43, components conducting supply voltage IP54.	Housing IP43, components conducting supply voltage IP54.
Special feature			



**** Type 2 Power-assisted motion; servo positioning drive/electrically controlled in 2 directions

All dimensions in mm



HTS-M01

AISI 304 stainless steel / toughened safety glass, 10 mm.

Made of AISI 304 tubular stainless steel, Ø 48 mm, mitred, with 8 mm tempered safety glass. 180° rotating unit; tubular column made of AISI 304 stainless steel, Ø 140 mm.

With two tall glass elements and stainless steel bar handles.

Locking system, drive and toothed holding brake installed in tubular column.

Tubular column made of Ø 140 mm stainless steel with 10 mm TSG glass element and bar handle.

Stainless steel satin finish.

Type 2 *

Two control units in external switch cabinet H = 283 / W = 168 / D = 115 (mm).

100 - 240 VAC, 50/60 Hz, 253 VA (2X).

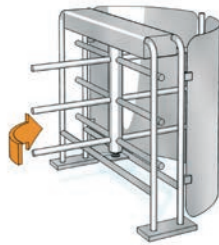
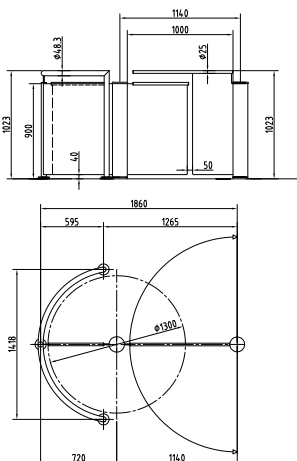
In case of power failure both directions free.

15 VA.

Dowelled on finished floor level, FFL.

Not suitable for outdoor installation.

Housing IP43, components conducting supply voltage IP54.



HTS-L01

AISI 304 stainless steel.

90°, with tubular column, Ø 89 mm made of AISI 304 stainless steel.

Straight crossbars, 3 each made of AISI 304 stainless steel, Ø 40 mm.

Barrier element made of AISI 304 stainless steel plate with post to prevent unauthorised entry into the intermediate sector.

Electric locking and drive integrated into the upper housing.

Stainless steel satin finish.

Type 2 *

Control unit integrated into the housing.

100 - 240 VAC, 50/60 Hz, 253 VA.

Behaviour in the event of a power failure can be determined, standard setting: freely rotatable.

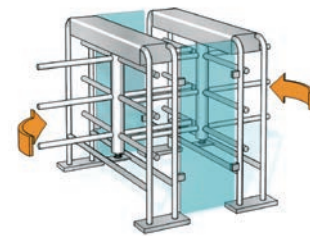
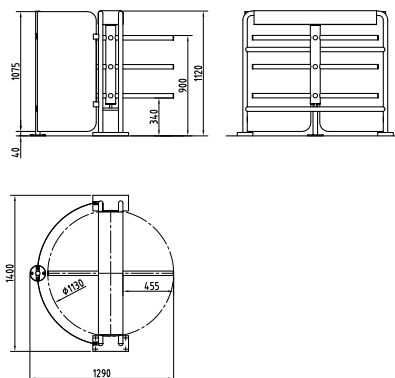
15 VA.

Dowelled on finished floor level, FFL.

Suitable for outdoor installation.

Housing IP43, components conducting supply voltage IP54.

Ideal for swimming pools and leisure centres.



HTS-L02

AISI 304 stainless steel / toughened safety glass, 10 mm.

Two pieces, 90°, with tubular column, Ø 89 mm made of AISI 304 stainless steel.

Straight crossbars, 3 each made of AISI 304 stainless steel, Ø 40 mm.

Electric locking and drive integrated into the upper housings.

Stainless steel satin finish.

Type 2 *

Control unit integrated into the housing.

100 - 240 VAC, 50/60 Hz, 253 VA.

Behaviour in the event of a power failure can be determined, standard setting: freely rotatable.

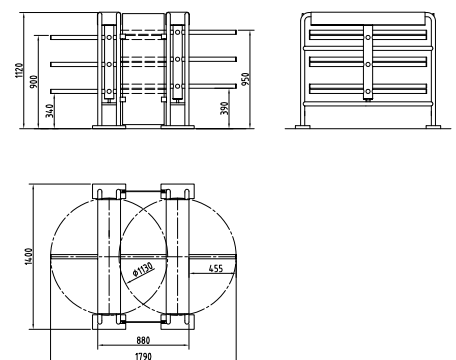
30 VA.

Dowelled on finished floor level, FFL.

Suitable for outdoor installation.

Housing IP43, components conducting supply voltage IP54.

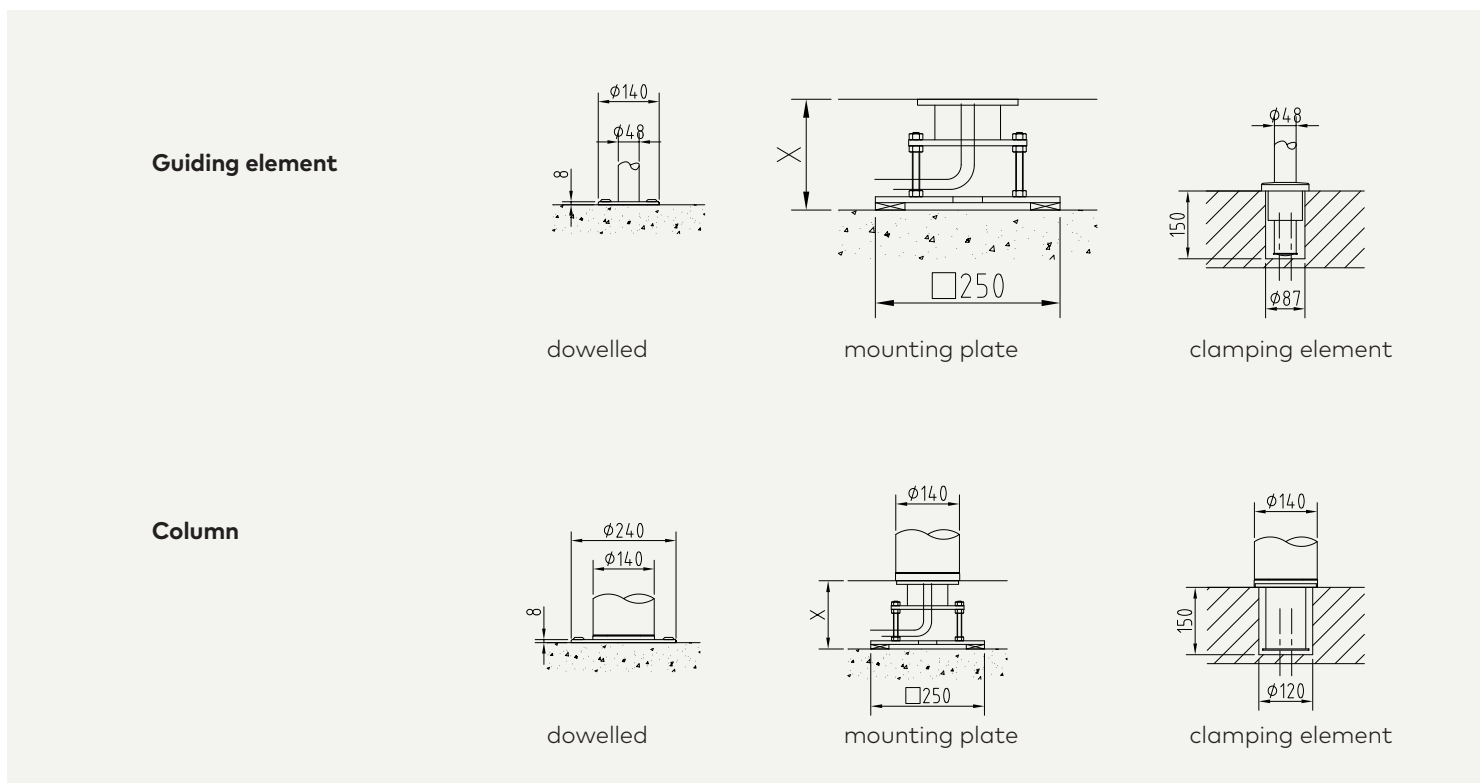
Ideal for swimming pools and leisure centres.



Options (depending on unit type)

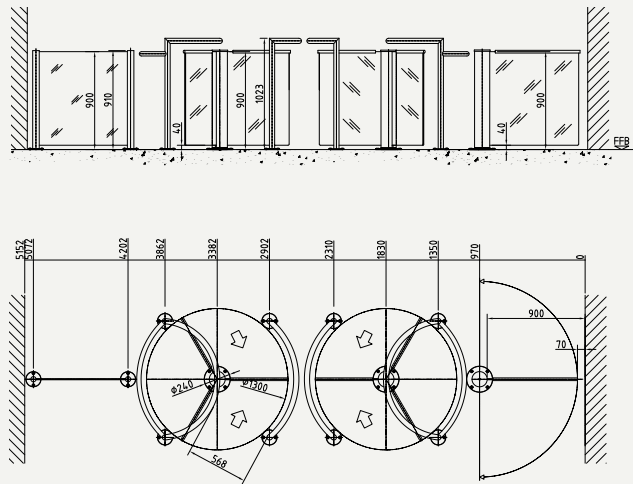
	HTS-E01	HTS-E03	HTS-M01	HTS-L01	HTS-L02
Construction					
Barrier elements with glass panel.	•	•			
Three bevelled barrier elements.		•			
Three half-height barrier elements.		•			
Raising of barrier and personal guiding elements to 1380 mm.				•	•
Electrical equipment					
Installation preparation with adapter or mounting plate.	•	•	•	•	•
Consoles with adapter made of plastic or aluminium (also available in stainless steel for an additional charge).	•	•	•	•	•
Coins and coin validator.				•	•
Push button in stainless steel tube console for manual single release.	•	•	•	•	•
Operating panels and frames or surface mount housing.	•	•	•	•	•
Additional circuit boards for expanding existing inputs and outputs.	•	•	•	•	•
Star hub (connection of max. four OPLs possible).	•	•	•		
Installation					
With adjustable mounting plates X = 80 – 180 mm for sub floor level.	•	•	•		
With cast-in clamping elements.	•	•	•		

Installation variants

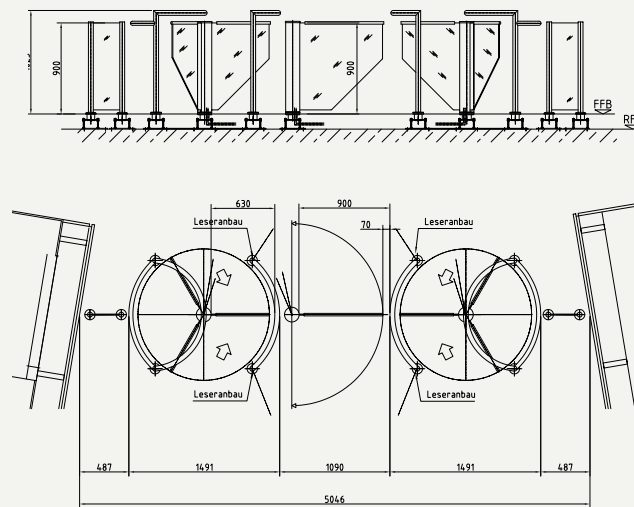


Installation diagrams

HTS-E03 examples



HTS-E03 example with option
"three bevelled barrier elements" option



HTS-L01 example with swing door

