

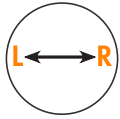


LOCINOX

Let's make better fences together

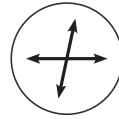
Locinox hinges
Built to last!

LOCINOX HINGE SPECIFICATIONS



FOR LEFT AND RIGHT OPENING GATES

All Locinox hinges are left/right interchangeable. No need to keep 2 different versions in stock.



MAXIMUM ADJUSTABILITY

Up to 4-dimensionally adjustable.



TESTED

All products have been tested on a minimum of 150,000 movements and successfully passed rigorous salt spray tests.



ANTI-THEFT

If possible Locinox always provides an anti-theft security.



RUSTPROOF MATERIALS

Designed with rustproof materials. Especially designed for exterior use: rain & frost-proof.



MODULARITY

The products in our range are designed for maximum interchangeability. A multitude of combinations is possible so you will always be able to fulfill your clients' wishes.

HOT-DIP GALVANISATION: LASTS 10 TIMES LONGER!

Locinox always opts for hot-dip galvanisation where competitors use electro-galvanisation or zinc-plating. The HDG process however covers the products with a layer thickness of minimum 50 µm up to 150 µm (electro-galvanisation: 5 to 25 µm).

HDG is a process where a finished, steel product is dipped into a vat containing molten zinc. This total submersion ensures that hidden corners, crevices and holes are all covered with a protective coat, leaving no place for corrosion to start forming unnoticed. Galvanised coating can easily withstand any abrasive forces applied during the installation of a fence or gate.

Locinox eyebolt tested: 1000 hour salt spray cabinet.



LOCINOX



0h



LOCINOX



250h

= 5 years of outdoor use



LOCINOX



1000h

= 20 years of outdoor use

CORROSION

Locinox products are of industrial quality. They are tested extensively by our R&D department in the most extreme circumstances. We test every product a minimum of 150,000 movements before bringing it to the market. A salt spray test learns us that hot-dip galvanising is the correct surface treatment for products that are used for years outside. Zinc plated hinges soon lose their shiny appearance and corrosion sets in. Corrosion which could after only a few years limit or even prevent the opening or closing of the gate.

Zinc plated eyebolt tested: 100 hours salt spray cabinet.



eyebolt competitor



0h



eyebolt competitor



25h

= 3 months of outdoor use



eyebolt competitor



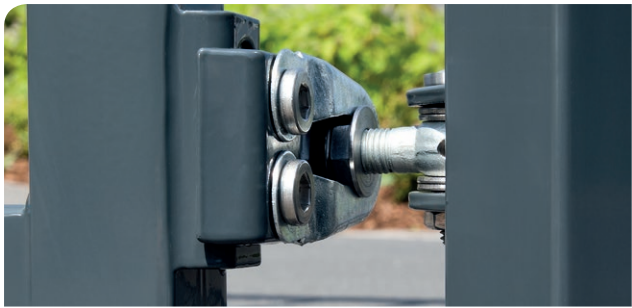
100h

= 1 year of outdoor use

Industrial gates

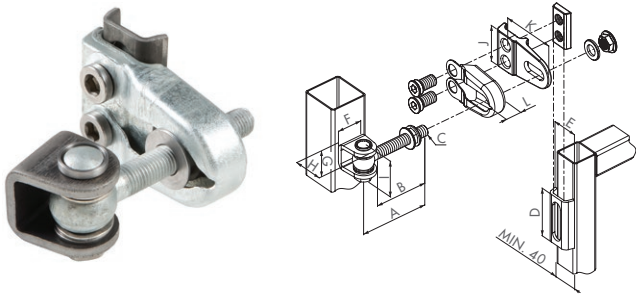
Hinges carry the whole weight of the gate and ensure that it smoothly opens and closes. Because of this heavy task, our hinges are hot-dip galvanised or made of stainless steel.

The GBMU4DSHIELD hinge is our top of the line. Adjustable in 4 dimensions.



GBMU4DSHIELD - Vandalproof 4D - 180° hinge

PATENTED Secured version (anti-theft cover and eyebolt security) of the adjustable 4D 180° hinge. Hot-dip galvanised and adjustable in 4 dimensions.

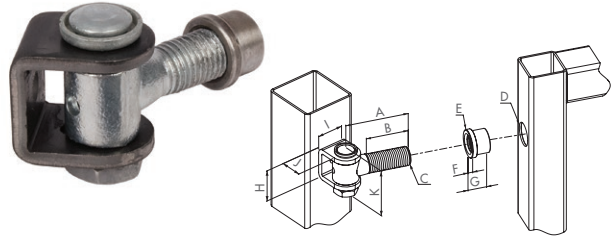


| | A | B | C | D | E | F | G | H | I | J | K | L |
|----------------|-----|----|-----|----|------|----|----|----|----|----|----|----|
| GBMU4DSHIELD12 | 90 | 70 | M12 | 70 | 37,5 | 35 | 31 | 39 | 47 | 50 | 85 | 24 |
| GBMU4DSHIELD16 | 110 | 85 | M16 | 80 | 42 | 40 | 42 | 48 | 60 | 60 | 88 | 26 |



G90Z - Vandalproof 90° hinge

Hot-dip galvanised, anti-theft 90° hinge with 27 mm adjustability.

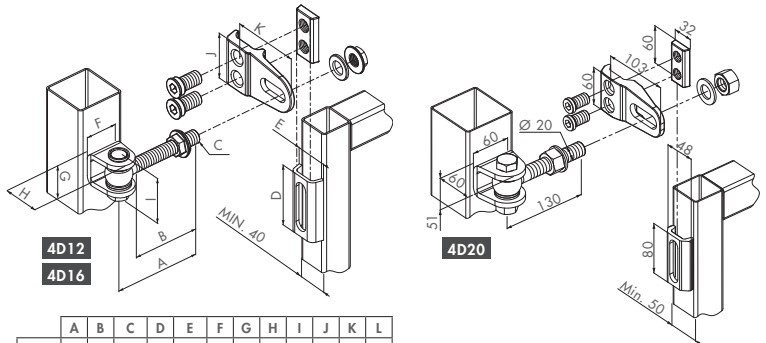


| | A | B | C | D | E | F | G | H | I | J |
|-----|----|----|-----|-----|-------|---|----|------|----|----|
| M16 | 65 | 47 | M16 | Ø21 | Ø25,5 | 5 | 20 | 36,5 | 30 | 25 |



GBMU4D - 4D - 180° hinge

PATENTED Hot-dip galvanised 180° welding hinge. Adjustable in 4 dimensions and hot-dip galvanised. Reversible (no more left or right turning gates).



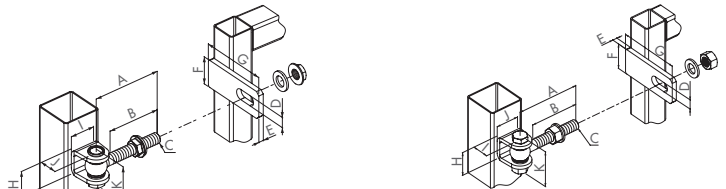
| | A | B | C | D | E | F | G | H | I | J | K | L |
|------|-----|----|-----|----|------|----|----|----|----|----|----|----|
| 4D12 | 90 | 70 | M12 | 70 | 37,5 | 35 | 31 | 39 | 47 | 50 | 85 | 24 |
| 4D16 | 110 | 85 | M16 | 80 | 42 | 40 | 43 | 48 | 60 | 60 | 88 | 29 |



| | Welding parts in black steel (B) | Welding parts zinc plated (Z) | |
|------------|----------------------------------|-------------------------------|--|
| GBMU4D12-B | GBMU4D12-Z | Eyebolt M12 | |
| GBMU4D16-B | GBMU4D16-Z | Eyebolt M16 | |
| GBMU4D20-B | GBMU4D20-Z | Eyebolt M20 | |

GBMU - 3D - 180° hinge

180° welding hinge. Adjustable in 3 dimensions and hot-dip galvanised.



| | A | B | C | D | E | F | G | H | I | J | K |
|-----|-----|----|-----|----|---|----|-----|----|----|----|----|
| M12 | 90 | 70 | M12 | 13 | 6 | 35 | 90 | 31 | 35 | 24 | 47 |
| M16 | 110 | 85 | M16 | 17 | 8 | 45 | 110 | 42 | 40 | 30 | 60 |

| | A | B | C | D | E | F | G | H | I | J | K |
|-----|-----|-----|-----|----|----|----|-----|----|----|----|----|
| M18 | 105 | 80 | M18 | 19 | 8 | 50 | 120 | 42 | 40 | 30 | 70 |
| M20 | 130 | 105 | M20 | 21 | 12 | 60 | 130 | 51 | 60 | 35 | 87 |
| M22 | 145 | 115 | M22 | 23 | 12 | 60 | 130 | 51 | 60 | 35 | 88 |



| | Welding parts in black steel (B) | Welding parts zinc plated (Z) | |
|------------|----------------------------------|-------------------------------|--|
| GBMU-B-M12 | GBMU-Z-M12 | Eyebolt M12 | |
| GBMU-B-M16 | GBMU-Z-M16 | Eyebolt M16 | |
| GBMU-B-M18 | GBMU-Z-M18 | Eyebolt M18 | |
| GBMU-B-M20 | GBMU-Z-M20 | Eyebolt M20 | |
| GBMU-B-M22 | GBMU-Z-M22 | Eyebolt M22 | |





Garden gates

Garden gates have a double function. They prevent access to the garden for strangers but they also make sure that little children or animals can't reach the street.

Rely on us, also for your garden gates!

SWING40 - Spring hinge set with stainless steel M12 axle and adjustable closing force for garden gates

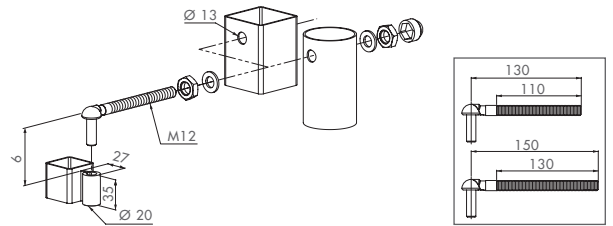


Spring hinge set to slide into the 40x40 mm gate post. One for the top, one for the bottom.

| | |
|--------------------|--------------------|
| SWING40-130 | Hinge axle: 130 mm |
| SWING40-150 | Hinge axle: 150 mm |



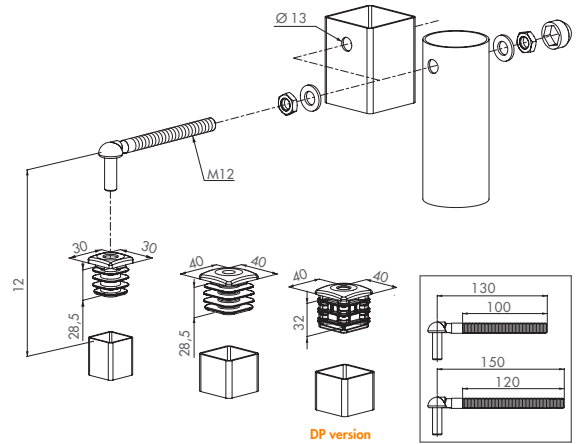
GAM12 - Garden gate hinge-set with stainless steel M12 hinge axles. Black steel welding ears included



| | | |
|------------------|--------------------|-----------------|
| GAM12-130 | Hinge axle: 130 mm | 1040TPS-M12-130 |
| GAM12-150 | Hinge axle: 150 mm | 1040TPS-M12-150 |

GBM12 - Garden gate hinge-set with stainless steel M12 hinge axles. Polyamide or aluminium post plugs included

Hinge set with 130 or 150 mm axle. Easy to install in square 30 or 40 mm profiles by means of a post plug.



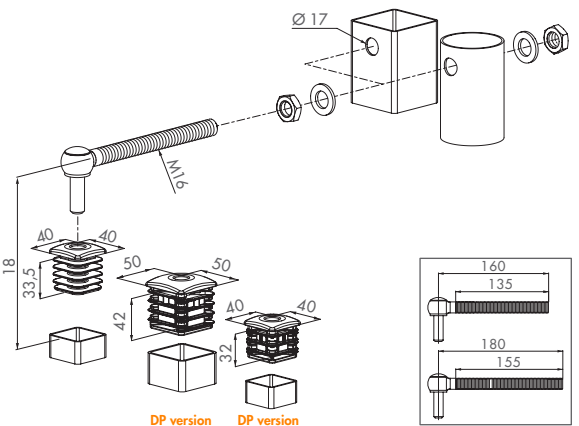
| | | |
|------------------------|--------------------|-----------------|
| GBM12-30-130 | Hinge axle: 130 mm | 1040TPS-M12-130 |
| GBM12-30-150 | Hinge axle: 150 mm | 1040TPS-M12-150 |
| GBM12-40-130 | Hinge axle: 130 mm | 1040TPS-M12-130 |
| GBM12-40-150 | Hinge axle: 150 mm | 1040TPS-M12-150 |
| GBM12-DP-40-130 | Hinge axle: 130 mm | 1040TPS-M12-130 |
| GBM12-DP-40-150 | Hinge axle: 150 mm | 1040TPS-M12-150 |

DP version:
aluminium reinforced post plug (DURA)

DP version

GBM16 - Garden gate hinge-set with hot-dip galvanised M16 hinge axles. Polyamide or aluminium post plugs included

Hinge set with 160 or 180 mm axle. Easy to install in square 40 or 50 mm profiles by means of a post plug.



| | | |
|------------------------|--------------------|-----------------|
| GBM16-40-160 | Hinge axle: 160 mm | 1040HDS-M16-160 |
| GBM16-40-180 | Hinge axle: 180 mm | 1040HDS-M16-180 |
| GBM16-DP-40-160 | Hinge axle: 160 mm | 1040HDS-M16-160 |
| GBM16-DP-40-180 | Hinge axle: 180 mm | 1040HDS-M16-180 |
| GBM16-DP-50-160 | Hinge axle: 160 mm | 1040HDS-M16-160 |
| GBM16-DP-50-180 | Hinge axle: 180 mm | 1040HDS-M16-180 |

DP version:
aluminium reinforced post plug (DURA)

DP version DP version



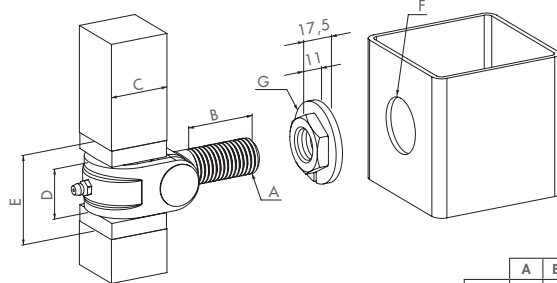
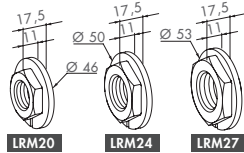
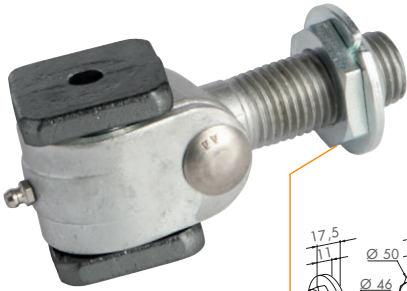
Ornamental gates

An ornamental gate is welcomes you, your guests or your clients. It has to operate faultlessly and needs quality components to do so.

Choose Locinox as aesthetic, reliable solution for all your ornamental gates!

G-ORNA - Ornamental hinge set

Hot-dip galvanised hinge set including greaser and adjustable nut for ornamental gates. The welding base is available in black steel (G-ORNA-B-xx) or zinc plated (G-ORNA-Z-xx).



| | A | B | C | D | E | F | G |
|-----|-----|----|----|----|----|-----|-----|
| M20 | M20 | 40 | 35 | 29 | 52 | Ø32 | Ø46 |
| M24 | M24 | 45 | 40 | 34 | 57 | Ø35 | Ø50 |
| M27 | M27 | 60 | 50 | 39 | 62 | Ø38 | Ø53 |

Welding parts black steel (B)

Welding parts zinc plated (Z)

G-ORNA-B-M20

G-ORNA-Z-M20

Welding base 35x35 mm

G-ORNA-B-M24

G-ORNA-Z-M24

Welding base 40x40 mm

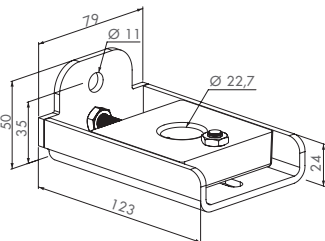
G-ORNA-B-M27

G-ORNA-Z-M27

Welding base 50x50 mm

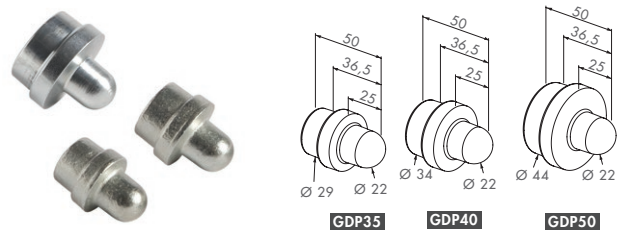
GP-U-BASE - Base plate and plate holder for gate pivot frame

Hot-dip galvanised base plate compatible with the gate pivot GDP-B-35, GDP-B-40, and GDP-B-50 so you only need to keep 1 single product in stock.



GDP - Gate pivot point

Available in black steel (GDP-B-xx) or zinc plated (GDP-Z-xx). All gate pivot points are compatible with the GP-U-BASE.



Black steel (B)

Zinc plated (Z)

GDP-B-35

GDP-Z-35

For profiles 35 x 35 mm.

GDP-B-40

GDP-Z-40

For profiles 40 x 40 mm.

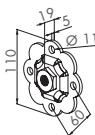
GDP-B-50

GDP-Z-50

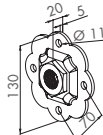
For profiles 50 x 50 mm.

WALL PLATES

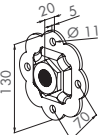
Hot-dip galvanised wall plates.



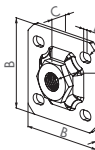
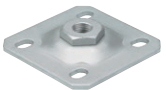
1005WPFM20



1005WPFM24



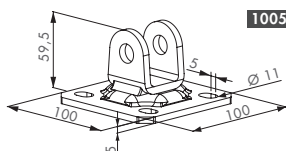
1005WPFM27



1005WP

| | A | B | C | D | E | F |
|-----|-----|-----|----|---|---|-----|
| M12 | M12 | 60 | 15 | 3 | 5 | Ø7 |
| M16 | M16 | 100 | 19 | 5 | 5 | Ø11 |
| M20 | M20 | 100 | 20 | 5 | 5 | Ø13 |

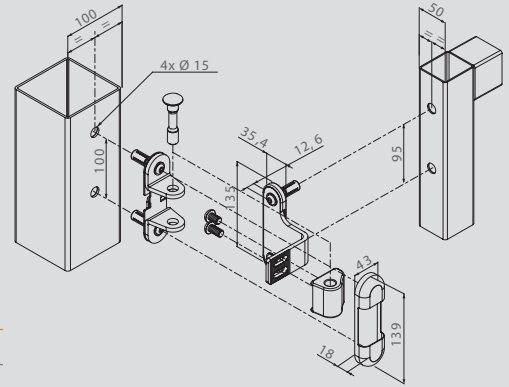
1005WPU16





3DM - 3D adjustable hinge for metal gates

Stainless steel hinge for aluminium/metal gates equipped with the fast Quick-Fix system. The hinge is adjustable in three dimensions: height, left/right alignment and swing direction. Also available with hot-dip galvanised arm.

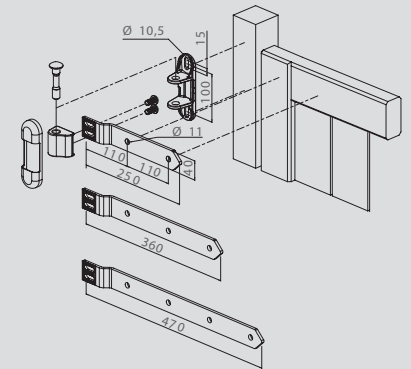
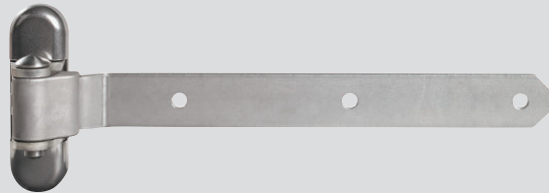


- | | |
|-------------------|------------------------------|
| 3DM-VP100-P50-A2 | Stainless steel hinge arm |
| 3DM-VP100-P50-HDG | Hot-dip galvanised hinge arm |



3DW - 3D adjustable hinge for wooden gates

Stainless steel hinge. The hinge is adjustable in three dimensions: height, left/right alignment and swing direction. Also available with hot-dip galvanised arm (250, 350 or 400 mm).

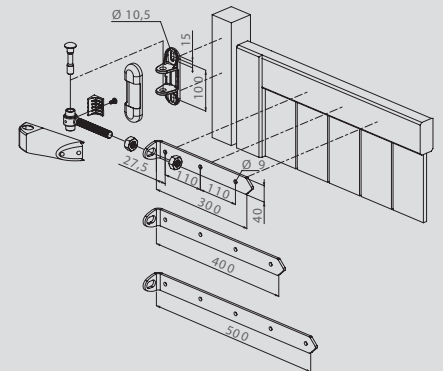


- | | |
|-------------|---------------------------------------|
| 3DW-250-A2 | Stainless steel hinge arm (250 mm) |
| 3DW-250-HDG | Hot-dip galvanised hinge arm (250 mm) |
| 3DW-350-A2 | Stainless steel hinge arm (350 mm) |
| 3DW-350-HDG | Hot-dip galvanised hinge arm (350 mm) |
| 3DW-450-HDG | Hot-dip galvanised hinge arm (450 mm) |



4DW - 4D adjustable hinge for wooden gates

Aesthetic, vandal proof hinge. The stainless steel hinge can be adjusted in 4 dimensions. Height, depth, left / right alignment and rotational direction can be adjusted. Adjustments can be made after installation.



- | | |
|------------|------------------------------|
| 4DW-300-A2 | Hinge arm: 300 mm, 3x Ø 9 mm |
| 4DW-400-A2 | Hinge arm: 400 mm, 4x Ø 9 mm |
| 4DW-500-A2 | Hinge arm: 500 mm, 5x Ø 9 mm |