

# SWING DOOR DRIVE UNIT

## GILGEN FD 10



**Compact and reliable drive mechanism for use in areas with heavy footfall. This low-noise electromechanical drive unit comes in an impressively sleek package. Its design is both robust and vandal-resistant, making it suitable for any location.**

- Compatible with single/two-leaf doors and interlock accesses
- Controlled, spring-actuated closure with motor assistance
- The drive mechanism has a built-in travel stop
- Freely selectable Full Power and Low Energy functions in a single drive mechanism
- Assisted-opening option, with servo function
- Terminals for connecting accessories such as locks, security/safety elements or operating controls
- Voltage-free outputs for acknowledgements to, for example, the building management system (via relay PCB)
- Simple to set up and operate via the integrated graphic display screen
- TÜV approved and complies with the pertinent standards and requirements (e.g. EN 16005, DIN 18650)

### Range of application

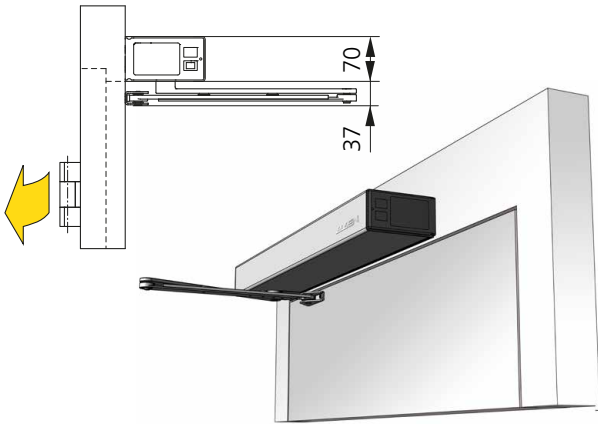
|                        |               |
|------------------------|---------------|
| Max. door leaf weight  | 150 kg        |
| Door sizes single leaf | 730 – 1100mm  |
| Door sizes two-leaf    | 1460 – 2200mm |
| Max. opening angle     | 105°          |

### Dimensions of drive system

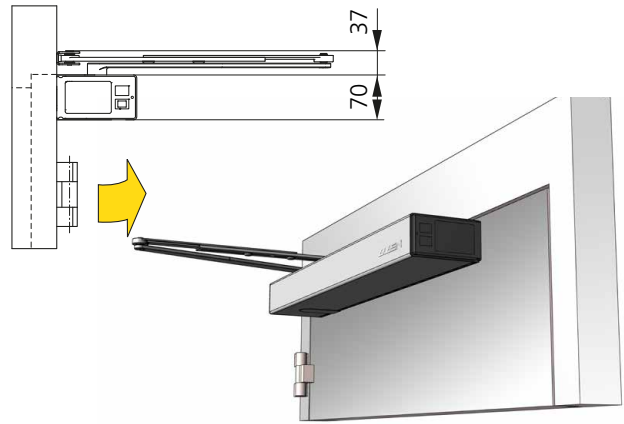
|        |        |
|--------|--------|
| Height | 70 mm  |
| Width  | 730 mm |
| Depth  | 125 mm |

# Possible applications

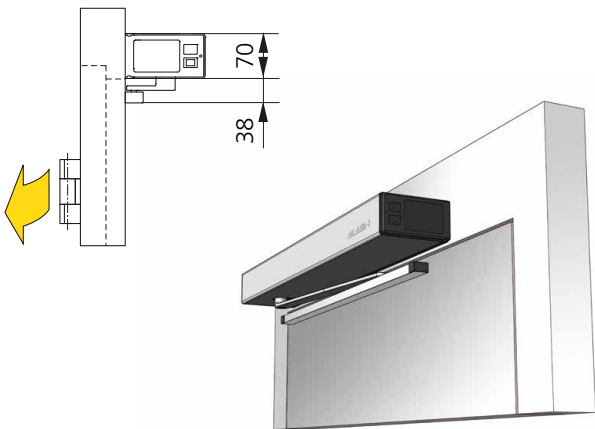
**Standard rods with pushing function**  
**Lintel installation**



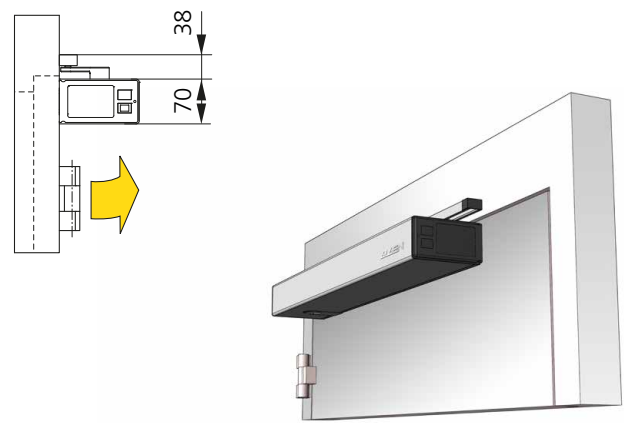
**Standard rods with pushing function**  
**Door leaf installation**



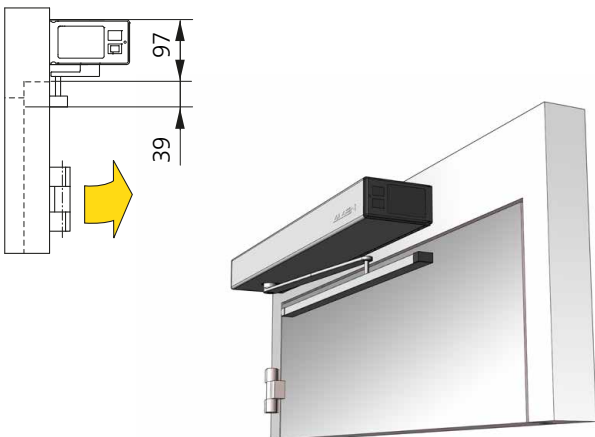
**Sliding rods with pushing function**  
**Lintel installation**



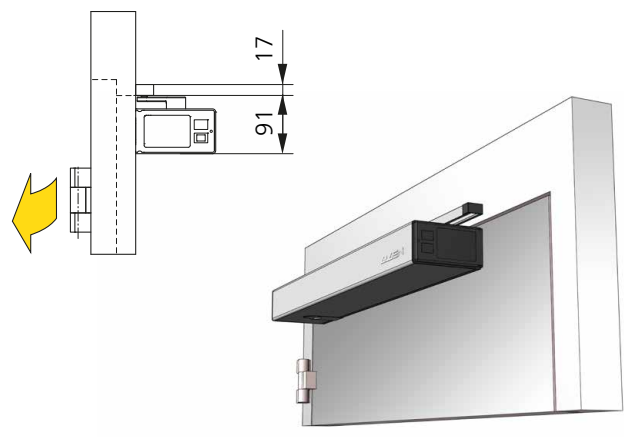
**Sliding rods with pushing function**  
**Door leaf installation**



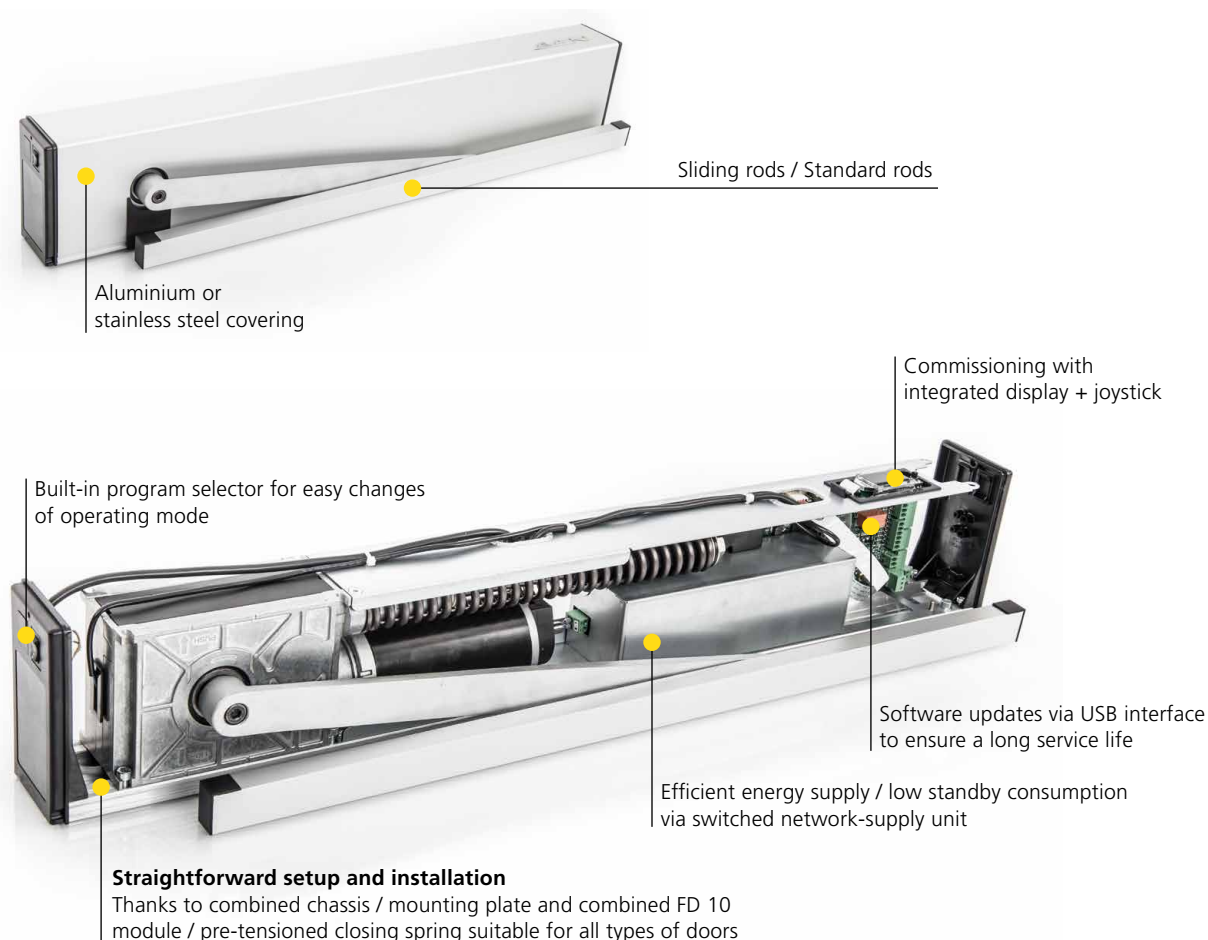
**Sliding rods with pulling function**  
**Lintel installation**



**Sliding rods with pulling function**  
**Door leaf installation**



## Technical data



|                                   |   |
|-----------------------------------|---|
| Power transfer                    | Standard rods (pushing function)<br>Sliding rods (pushing and pulling function) |
| Weight of drive system            | 8.2kg   |
| Protection rating                 | IP 20   |
| Ambient temperature               | -15 to +50 °C   |
| Operating voltage                 | 230 VAC (+10/-15 %), 50 Hz, 10/13 A   |
| Power consumption of drive system | maxx 350 W  |
| Rated motor capacity              | 100 W   |
| Stand-by consumption              | 4 W   |
| Power supply, external user       | 24 VDC (±10 %), 1,4 A   |
| Lintel depth standard rods        | max. 250 mm   |
| Lintel depth sliding rods         | -50 / +150 mm   |
| Opening speed                     | max. 40°/s  |
| Closing speed                     | max. 40°/s  |
| Relative humidity                 | max. 85 %   |
| Output shaft torque               | permanent max. 56 Nm<br>short max. 165 Nm                                       |



AUB Limited  
Unit A, 12/F, Hung Mou Industrial Building,  
62 Hung To Road, Kwun Tong,  
Kowloon, Hong Kong  
Tel : +852 2375 6110  
Fax : +852 2406 2602  
enquiry@aub.com.hk  
www.aub.com.hk